

The logo features a stylized 'C' icon on the left, composed of a blue square with a white horizontal bar and a white arrow pointing right. To the right of the icon, the word 'CORONET' is written in a bold, white, sans-serif font. The background of the entire page is a dark blue gradient with a pattern of light blue diagonal lines representing scaffolding pipes and couplers.

CORONET

RINGLOCK SYSTEM

North America

WE
PROVIDE
SCAFFOLDING
GLOBALLY.

Building the Future.

CORONET 2024

TABLE OF CONTENTS



INTRODUCTION

02

OVERVIEW

03-05

RINGLOCK

06-45

Ringlock Standard	06
Ringlock Ledger O-Type	07-08
Ringlock Double Ledger O-Type	09
Ringlock Truss Ledger O-Type	10
Ringlock Braces	11-13
Ringlock Brackets	14-15
Ringlock	16-17
Work Platforms	18-19
Access & Egress	20
Safety Gate	21
Adjustable Base Jack	22
Swivel Base Jack	23
Adjustable Caster Adapert	24
12" Caster Wheel	25
Starter/ Base Collar	26
Staircase and Steps	27
Stair Tread	28
Interlocking Toeboard	29
Non-Slip Steel Ladder	30
Ladder Bracket	31
Tube Lock / Interlock Tubes	32
Ringlock Accessories	33-45



ABOUT CORONET

Since its inception in the scaffolding business, the 'Coronet®' brand has stood for quality. With nearly two decades of successful operation, Coronet has emerged as the world's largest exporter of scaffolding to the North American market over the past years (2019-2022), as per the latest publicly available custom data.

Coronet USA serves as the American division of the Coronet Scaffolding Group. Our corporate offices are based in Suzhou, China, while our American operations are directed from offices in Houston, TX, New Orleans, LA, and Conception, Chile.

As a leading player in the scaffolding industry, we prioritize the well-being and happiness of our employees, whom we consider the cornerstone of our success. With values centered on 'customer first,' 'integrity,' and 'team cooperation,' Coronet stands out as an active, innovative, and passionate company. We extend our gratitude to all those who have placed their trust in Coronet over the years, and we welcome new customers to join us in our journey.



CORONET'S VALUES
Customers first, Integrity, Teamwork.



OVERVIEW

Coronet Quality

Coronet Products hold comprehensive product liability insurance provided by esteemed US carriers. We prioritize exceeding industry standards through our stringent quality assurance programs, ensuring that our scaffolding stands as the safest and most reliable worldwide.

At Coronet, we boast an in-house laboratory designed not just for material (mill) tests but also for diverse load testing, equipped with Transcell® load sensors. Our test engineers undergo rigorous training from accredited third parties, and we meticulously document and file test reports for complete traceability.

We firmly believe in hands-on action and going above and beyond.

MATERIAL

Coronet only uses the high tensile steel S355 (The equivalent A572 Gr. 50, USA, ASTM. (Min.yield of 51,000 psi/ min. tensile of 68,000 psi) for main parts in our products. Our steel is certified and test for every batch, meeting and exceeding industry standards.

WELDING

Robot welding process monitoring and control involves routine or continuous monitoring of process variables, particularly current, time and force.

FINISHING

Coronet system scaffolds are finished and protected by hot-dipped zinc galvanized. This finishing method ensures maximum surface durability.

TRACEABILITY

All system scaffolds are imprinted with traceable codes to ensure quality assurance.

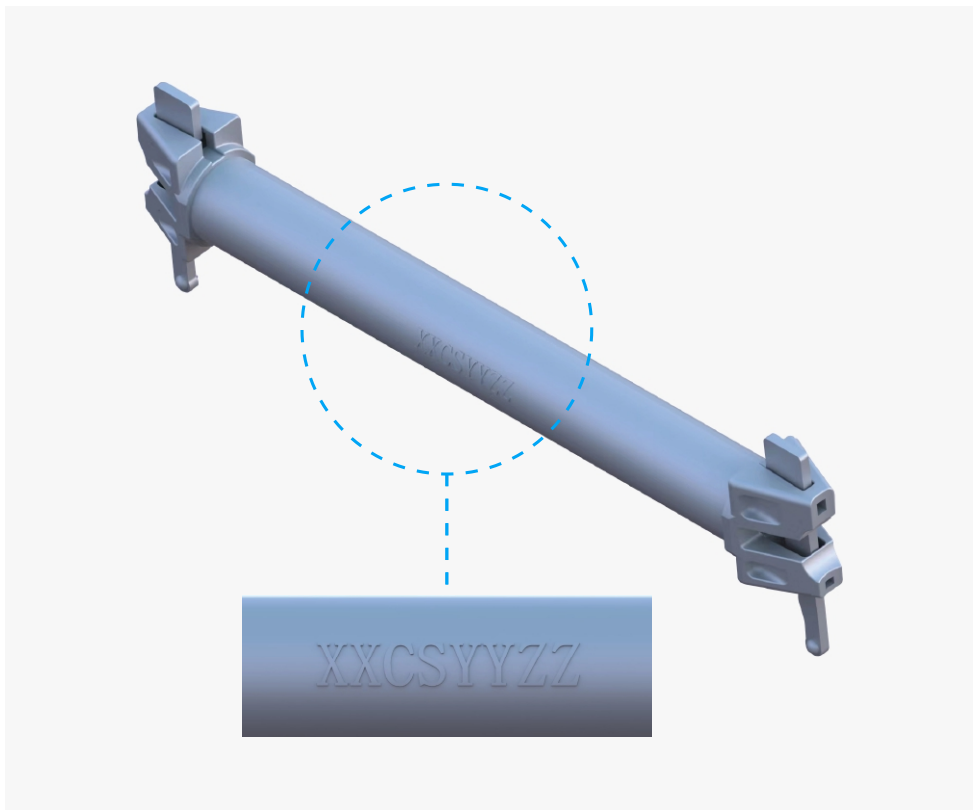
OVERVIEW

Product Traceability

All coronet components are stamped with traceability marks.

Batch number: XXCSYYZZ

XX=Serial Number CS= Coronet Scaffold YY=Month of Manufacture ZZ= Year of Manufacture

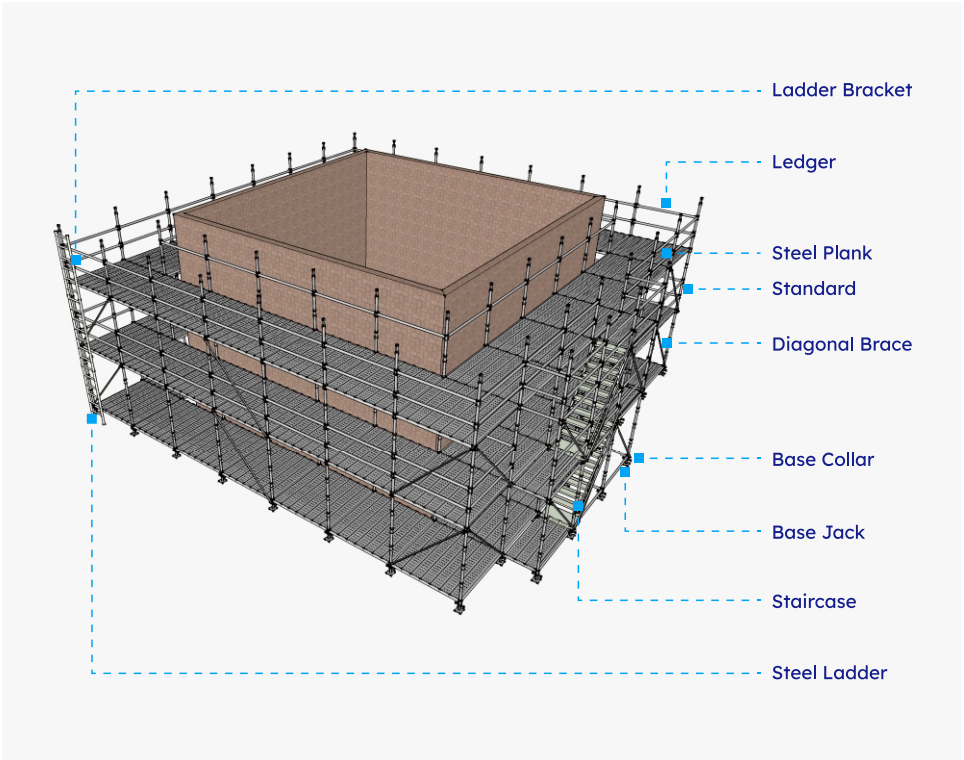


OVERVIEW

Component

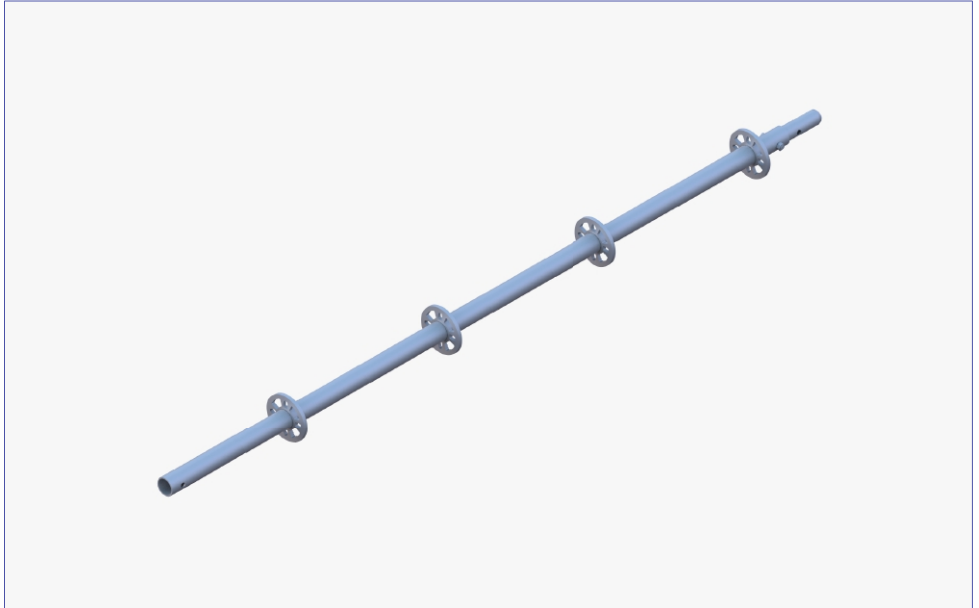
Component Identification

The following diagram represents the most common Ringlock components used. Most scaffold structure are made from these basic components yet the Ringlock system comes with a variety of accessories for all your scaffolding requirements.



Ringlock Standard

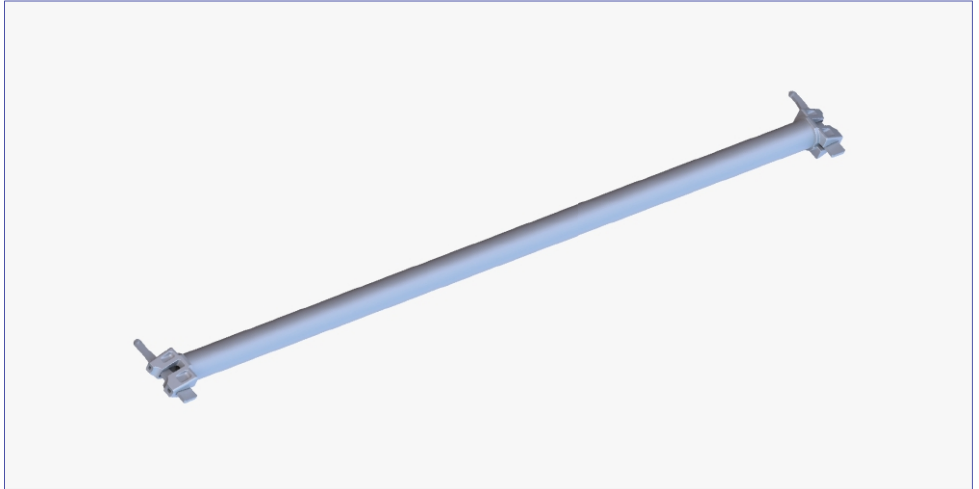
Ringlock Standard(Vertical) has rosettes at 500mm interval, Tube size: OD48.3x3.2mm, Steel Grade:S355 (The equivalent A572 Gr. 50, USA, ASTM. Min.yield of 51,000 psi; Min. tensile of 68,000 psi). Surface treatment: Hot dip galvanized.



Item No.	Ref.No	Description	Height		Weight (kgs)		Packaging	
			Meters	Feet	Kgs	Lbs	Qty.	Type
RV99	RL0264	6 Ring Standard 3.0m w/ spigot	3.0	9'-9"	14.56	32.07	100	Rack
RV82	RL0182	5 Ring Standard 2.5m w/ spigot	2.5	8'2"	12.26	27.00	100	Rack
RV66	RL0218	4 Ring Standard 2.0m w/ spigot	2.0	6'-6"	9.95	21.92	100	Rack
RV411	RL0096	3 Ring Standard 1.5m w/ spigot	1.5	4-11"	7.65	16.85	100	Rack
RV33	RL0084	2 Ring Standard 1.0m w/ spigot	1.0	3'-3"	5.34	12.10	100	Rack
RV18	RL0010	1 Ring Standard 0.5m w/ spigot	0.5	1'-8"	3.04	6.70	200	Rack

Ringlock Ledger O-Type

Ringlock Horizontal, Tube size: OD48.3x3.2mm, Steel Grade: S355 (The equivalent A572 Gr. 50, USA, ASTM. Min.yield of 51,000 psi; Min. tensile of 68,000 psi). Surface treatment: Hot dip galvanized. Ledgers are also used as guard rail.

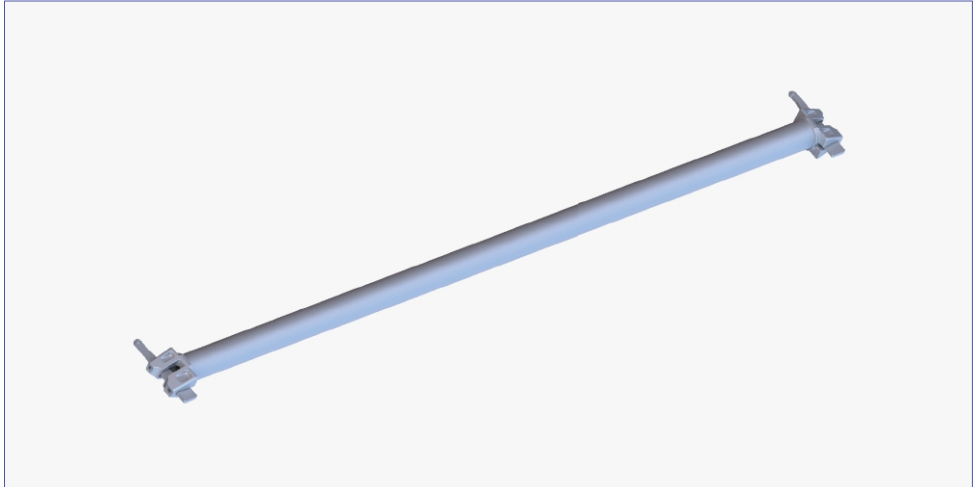


IMPERIAL SIZES

Item No.	Ref.No	Description	Height		Weight (kgs)		Packaging	
			Meters	Feet	Kgs	Lbs	Qty.	Type
RH10	RL0120	1' Ledger O-Type 305mm	0.305	1'	1.86	4.10	600	Rack
RH20	RL0633	2' Ledger O-Type 610mm	0.61	2'-0"	2.94	6.48	300	Rack
RH22	RL0681	2'-2" Ledger O-Type 650mm	0.65	2'-2"	3.08	6.78	300	Rack
RH25	RL1482	2'-5" Ledger O-Type 732mm	0.732	2'-5"	3.37	7.42	300	Rack
RH210	RL1509	2'-10" Ledger O-Type 880mm	0.88	2'-10 5/8"	3.90	8.59	300	Rack
RH30	RL0268	3' Ledger O-Type 914mm	0.914	3'-0"	4.02	8.85	150	Rack
RH36	RL0621	3'-6" Ledger O-Type 1065mm	1.065	3'-6"	4.56	10.04	150	Rack
RH37	RL1483	3'-7" Ledger O-Type 1090mm	1.09	3'-7"	4.65	10.24	150	Rack
RH310	RL0680	3'-10" Ledger O-Type 1150mm	1.15	3'-10"	4.86	10.70	150	Rack
RH40	RL1461	4'-0" Ledger O-Type 1220mm	1.22	4'	5.11	11.26	150	Rack
RH43	RL1484	4'-3" Ledger O-Type 1286mm	1.286	4'-3"	5.34	11.76	150	Rack
RH50	RL0620	5'-0" Ledger O-Type 1524mm	1.524	5'-0"	6.19	13.63	150	Rack

Ringlock Ledger O-Type

Ringlock Horizontal, Tube size: OD48.3x3.2mm, Steel Grade: S355 (The equivalent A572 Gr. 50, USA, ASTM. Min.yield of 51,000 psi; Min. tensile of 68,000 psi). Surface treatment: Hot dip galvanized. Ledgers are also used as guard rail.

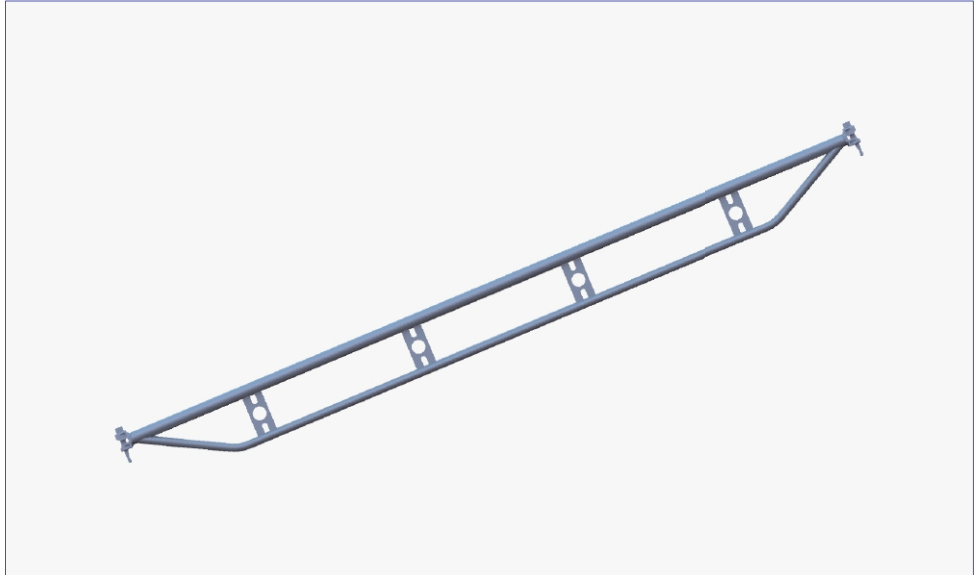


IMPERIAL SIZES

Item No.	Ref.No	Description	Height		Weight (kgs)		Packaging	
			Meters	Feet	Kgs	Lbs	Qty.	Type
RH52	RL0679	5'-2" Ledger O-Type 1572mm	1.572	5'-2"	6.36	14.01	150	Rack
RH54	RL1384	5'-4" Ledger O-Type 1625mm	1.625	5'-4"	6.55	14.43	150	Rack
RH60	RL1479	6'-0" Ledger O-Type 1829mm	1.829	6'-0"	7.27	16.01	150	Rack
RH69	RL1503	6'-9" Ledger O-Type 2072mm	2.072	6'-9"	8.13	17.91	150	Rack
RH70	RL1434	7'-0" Ledger O-Type 2130mm	2.13	7'-0"	8.34	18.37	150	Rack
RH80	RL0349	8'-0" Ledger O-Type 2440mm	2.44	8'-0"	9.44	20.79	150	Rack
RH86	RL1485	8'-6" Ledger O-Type 2572mm	2.572	8'-6"	9.91	21.83	150	Rack
RH90	RL1510	9'-0" Ledger O-Type 2743mm	2.743	9'	10.52	23.17	150	Rack
RH100	RL0636	10'-0" Ledger O-Type 3050mm	3.05	10'	11.61	25.57	150	Rack

Ringlock Double Ledger O-Type

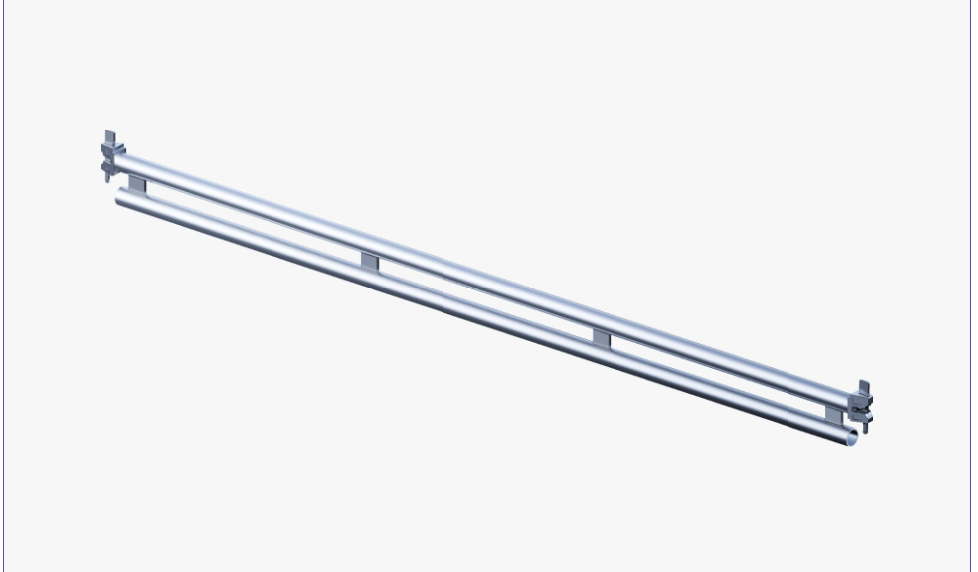
The Double Ledger is engineering to enable higher service loads to the working platform.
 Tube size: OD48.3x3.2mm, Steel Grade:S355(The equivalent A572 Gr. 50, USA, ASTM. Min.yield of 51,000 psi; Min. tensile of 68,000 psi). Surface treatment: Hot dip galvanized.



Item No.	Ref.No	Description	Height		Weight (kgs)		Packaging	
			Meters	Feet	Kgs	Lbs	Qty.	Type
RDL50	RL1511	5' Truss Ledger 1524mm	1.52	5'-0"	9.47	20.86	60	Rack
RDL52	RL1512	5'-2" Truss Ledger 1572mm	1.572	5'-2"	9.74	21.45	60	Rack
RDL60	RL1513	6' Truss Ledger 1829mm	1.82	6'-0"	11.56	25.46	60	Rack
RDL70	RL1514	7' Truss Ledger 2130mm	2.13	7'-0"	13.62	30.00	60	Rack
RDL80	RL0624	8' Truss Ledger 2440mm	2.43	8'-0"	15.36	33.83	60	Rack
RDL86	RL1515	8'6" Truss Ledger 2572mm	2.572	8'-6"	16.47	36.28	60	Rack
RDL90	RL1516	9' Truss Ledger 2743mm	2.74	9'-0"	17.43	38.39	60	Rack
RDL100	RL1517	10' Truss Ledger 3050mm	3.05	10'-0"	19.53	43.02	60	Rack

Ringlock Truss Ledger O-Type

The Truss Ledger is engineering to enable higher service loads to the working platform.
 Tube size: OD48.3x3.2mm, Steel Grade:S355 (The equivalent A572 Gr. 50, USA, ASTM. Min.yield of 51,000 psi; Min. tensile of 68,000 psi). Surface treatment: Hot dip galvanized.

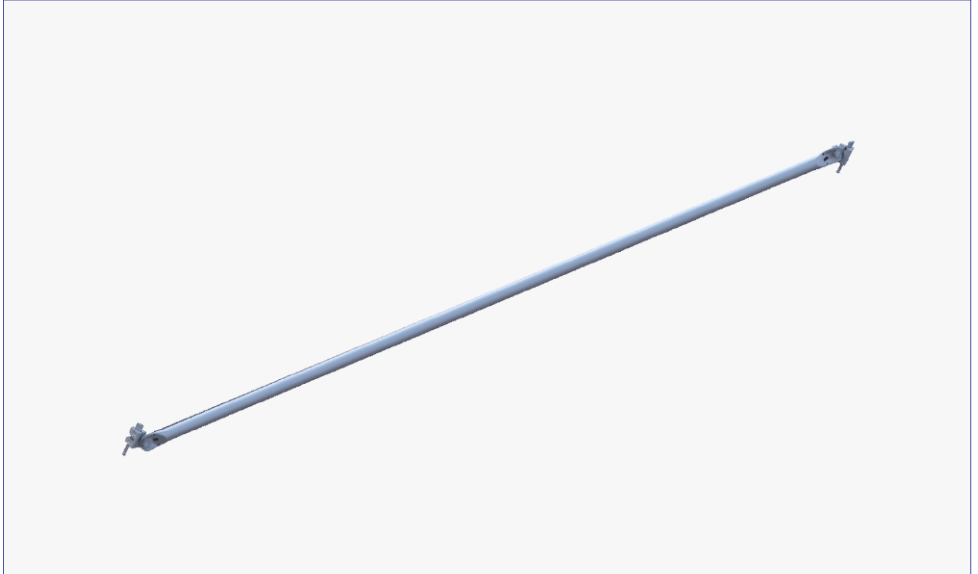


Item No.	Ref.No	Description	Height		Weight (kgs)		Packaging	
			Meters	Feet	Kgs	Lbs	Qty.	Type
RDL50	RL1486	5' Truss Ledger 1524mm	1.52	5'-0"	11.45	25.22	60	Rack
RDL52	RL1487	5'-2" Truss Ledger 1572mm	1.57	5'-2"	11.79	25.97	60	Rack
RDL60	RL1518	6' Truss Ledger 1829mm	1.82	6'-0"	13.75	30.29	60	Rack
RDL70	RL0329	7' Truss Ledger 2130mm	2.13	7'-0"	15.89	35.00	60	Rack
RDL80	RL1488	8' Truss Ledger 2440mm	2.43	8'-0"	18.09	39.85	60	Rack
RDL86	RL1489	8'6" Truss Ledger 2572mm	2.572	8'-6"	19.16	42.20	60	Rack
RDL90	RL1519	9' Truss Ledger 2743mm	2.74	9'-0"	20.37	44.87	60	Rack
RDL100	RL0623	10' Truss Ledger 3050mm	3.05	10'-0"	22.55	49.67	60	Rack

Ringlock Braces

Bay Brace 6'-6" (2.0m) Lift

The Bay Brace is used for the lateral bracing of Ringlock scaffolds. Tube size: OD48.3x2.5mm, Steel Grade: S235. Surface treatment: Hot dip galvanized.

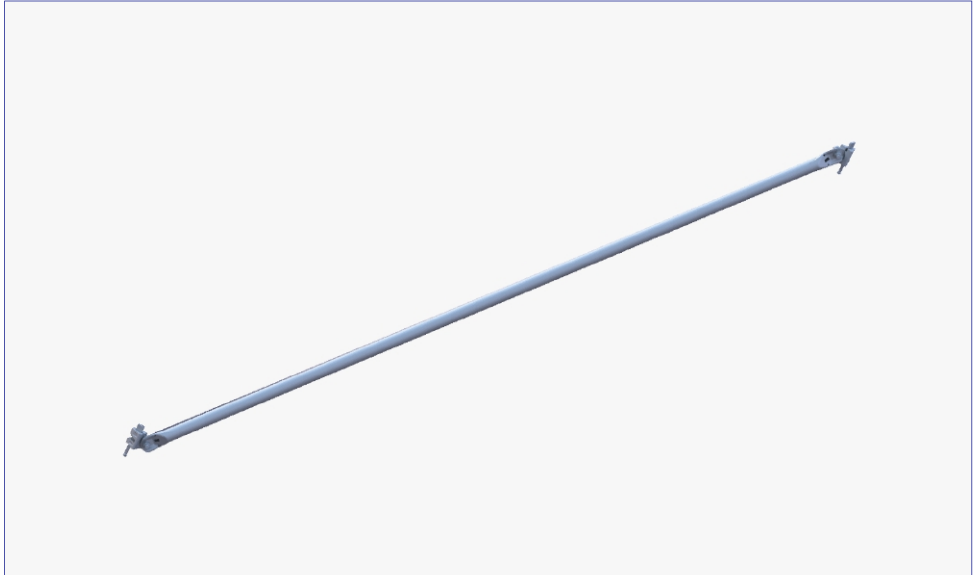


Item No.	Ref.No	Description	Height		Weight (kgs)		Packaging	
			Meters	Feet	Kgs	Lbs	Qty.	Type
RBR20	RL0979	2'-0" Bay Brace 609mm	0.60	2'-0"	7.78	17.14	150	Rack
RBR22	RL1044	2'-2" Bay Brace 650mm	0.65	2'-2"	7.81	17.20	150	Rack
RBR210	RL1520	2'-10" Bay Brace 880mm	0.88	2'-10"	8	17.62	150	Rack
RBR30	RL0221	3'-0" Bay Brace 914mm	0.914	3'-0"	8.04	17.71	150	Rack
RBVD36	RL0038	3'-6" Bay Brace 1065mm	1.065	3'-6"	8.21	18.08	150	Rack
RBVD310	RL0682	3'-10" Bay Brace 1150mm	1.15	3'-10"	8.31	18.30	150	Rack
RBVD40	RL0060	4'-0" Bay Brace 1220mm	1.22	4'-0"	8.4	18.50	150	Rack
RBVD50	RL0072	5'-0" Bay Brace 1524mm	1.524	5'-0"	8.86	19.52	150	Rack

Ringlock Braces

Bay Brace 6'-6" (2.0m) Lift

The Bay Brace is used for the lateral bracing of Ringlock scaffolds. Tube size: OD48.3x2.5mm, Steel Grade: S235. Surface treatment: Hot dip galvanized.

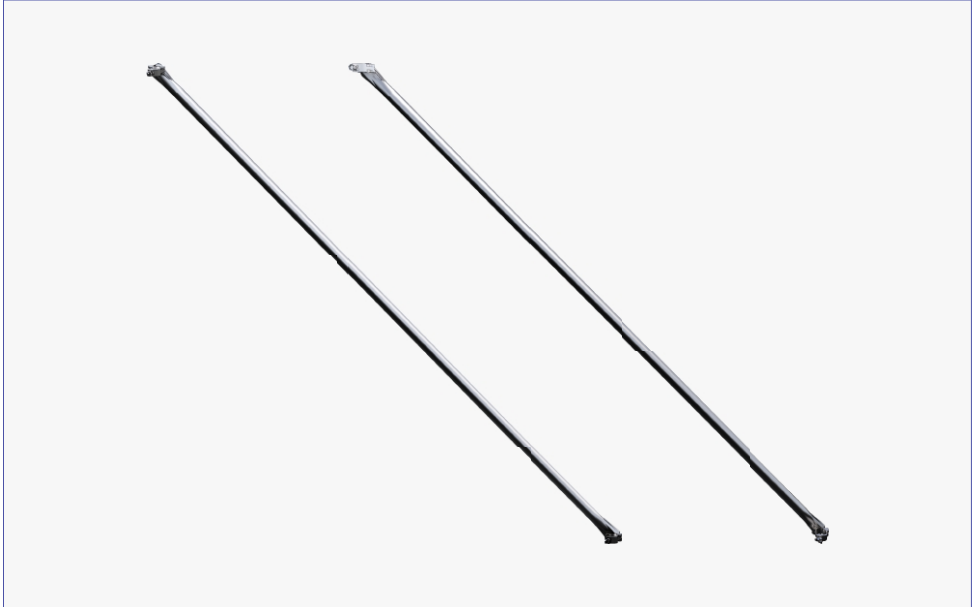


Item No.	Ref.No	Description	Height		Weight (kgs)		Packaging	
			Meters	Feet	Kgs	Lbs	Qty.	Type
RBVD52	RL0571	5'-2" Bay Brace 1572mm	1.572	5'-2"	8.94	19.69	150	Rack
RBVD54	RL1033	5'-4" Bay Brace 1625mm	1.625	5'-4"	9.03	19.89	150	Rack
RBVD60	RL0103	6'-0" Bay Brace 1829mm	1.829	6'-0"	9.39	20.68	150	Rack
RBVD70	RL0156	7'-0" Bay Brace 2130mm	2.13	7'-0"	9.98	21.98	150	Rack
RBVD80	RL0160	8'-0" Bay Brace 2440mm	2.44	8'-0"	10.63	23.41	150	Rack
RBVD86	RL1501	8'-6" Bay Brace 2572mm	2.572	8'-6"	10.92	24.05	150	Rack
RBVD90	RL0626	9'-0" Bay Brace 2743mm	2.743	9'-10"	11.3	24.89	150	Rack
RBVD100	RL0109	10'-0" Bay Brace 3050mm	3.05	10'-0"	12.02	26.48	150	Rack

Ringlock Braces

Swivel Clamp Brace 6'-6" (2.0m) Lift

The Bay Brace is used for the lateral bracing of Ringlock scaffolds. Tube size: OD48.3x2.5mm, Steel Grade: S235. Surface treatment: Hot dip galvanized.

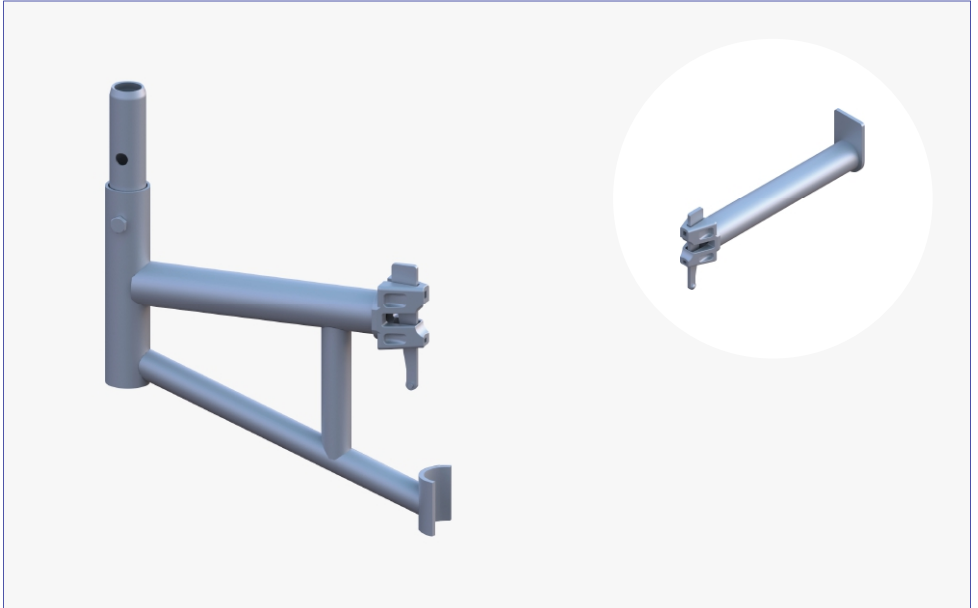


Item No.	Ref.No	Description	Height		Weight (kgs)		Packaging	
			Meters	Feet	Kgs	Lbs	Qty.	Type
RSCB50	RL1521	5'-0" Swivel Clamp Brace 1524mm	1.524	5'-0"	9.43	20.77	150	Rack
RSCB70	RL1468	7'-0" Swivel Clamp Brace 2130mm	2.13	7'-0"	10.61	23.37	150	Rack
RSCB80	RL1522	8'-0" Swivel Clamp Brace 2440mm	2.44	8'-0"	11.28	24.85	150	Rack
RSCB82	RL1496	8'-2" Swivel Clamp Brace 2500mm	2.50	8'-2"	11.41	25.13	150	Rack
RSCB10	RL1469	10'-0" Swivel Clamp Brace 3050mm	3.05	10'-0"	12.7	27.97	150	Rack

Ringlock Brackets

Side/Hop-up Bracket O-Type

The side/hop-up bracket is used to extend the working platform closer to the building structure. Steel Grade: S235 or S355. Surface treatment: Hot dip galvanized.

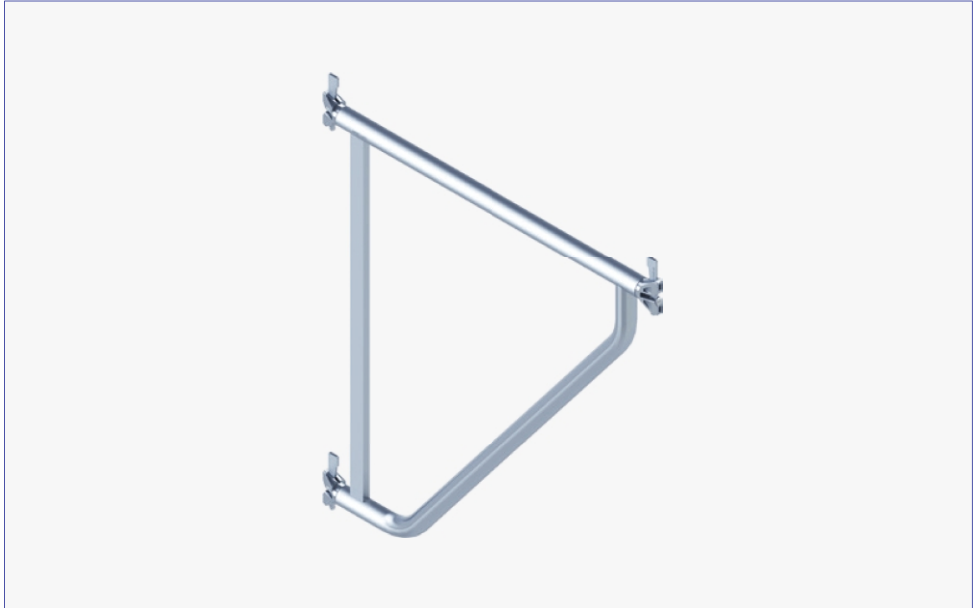


Item No.	Ref.No	Description	Height		Weight (kgs)		Packaging	
			Meters	Feet	Kgs	Lbs	Qty.	Type
RSB1	RL0642	1' Side Bracket	0.31	1'	1.83	4.03	110	Rack
RSB22	RL1523	2'2" Side Bracket	0.65	2'-2"	5.95	13.11	66	Rack
RSB25	RL1490	2'5" Side Bracket	0.732	2'-5"	6.39	14.07	50	Rack
RSB210	RL1524	2'10" Side Bracket	0.88	2'-10-5/8"	7.33	16.15	50	Rack
RSB3	RL0270	3' Side Bracket	0.914	3'	7.5	16.52	50	Rack

Ringlock Brackets

Side/Console Bracket O-Type

The side/hop-up bracket is used at the edge of a scaffold to extend or widen the working platform. Steel Grade: S235. Surface treatment: Hot dip galvanized.

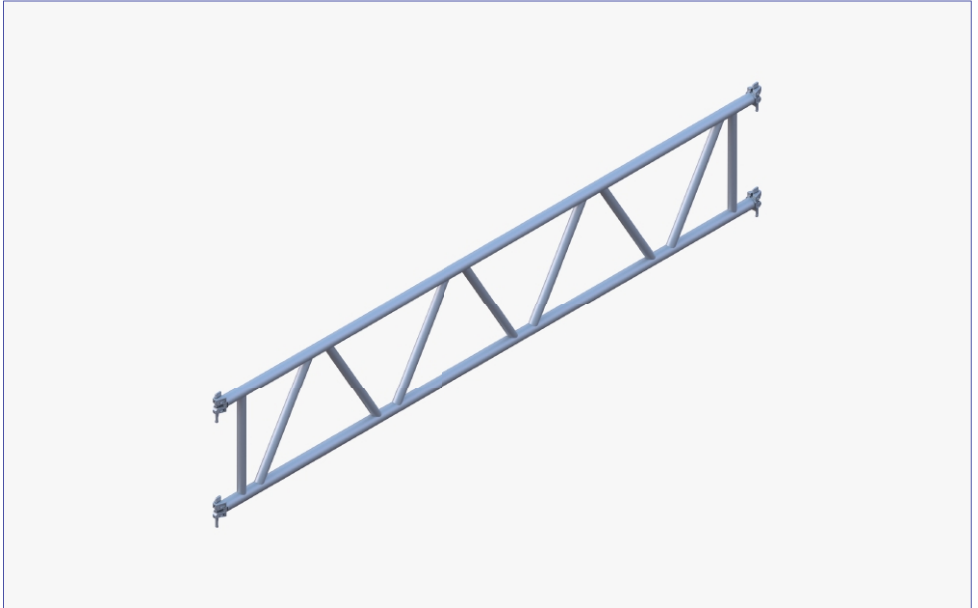


Item No.	Ref.No	Description	Height		Weight (kgs)		Packaging	
			Meters	Feet	Kgs	Lbs	Qty.	Type
RSB36	RL1525	3'6" Side/Console Bracket O-Type	1.065	3'-6"	11.9	26.21	24	Rack
RSB37	RL1491	3'7" Side/Console Bracket O-Type	1.09	3'-7"	12.08	26.61	24	Rack
RSB310	RL1526	3'10" Side/Console Bracket O-Type	1.15	3'-10"	12.5	27.53	24	Rack

Ringlock

Lattice Girder, No Spigot 19.7" (0.5m)

The Lattice Girder is a horizontal member of Ringlock scaffolding that allows for bridging over large spans of 14'-28'. Steel Grade: S235. Surface treatment: Hot dip galvanized.



Item No.	Ref.No	Description	Height		Weight (kgs)		Packaging	
			Meters	Feet	Kgs	Lbs	Qty.	Type
RSLG10	RL1527	Lattice Girder 10'	3.05	10'	32.3	71.15	20	Bundle
RSLG14	RL1492	Lattice Girder 14'	4.26	14'	42.9	94.49	20	Bundle
RSLG16	RL1528	Lattice Girder 16'	4.88	16'	49.2	108.37	20	Bundle
RSLG17	RL1529	Lattice Girder 17'	5.18	17'	51.4	113.22	20	Bundle
RSLG21	RL1493	Lattice Girder 21'	6.39	21'	63.9	140.75	20	Bundle
RSLG28	RL1494	Lattice Girder 28'	8.52	28'	84.9	187.00	20	Bundle

Ringlock

Spigot Adapter Clamp (I-Bolt)

The spigot Adapter Clamm (I-Bolt) allows the connecetion of Ringlck Standards at intermedii-ate locations along the length of O-Type Ledgers, Truss Ledgers and Girders.



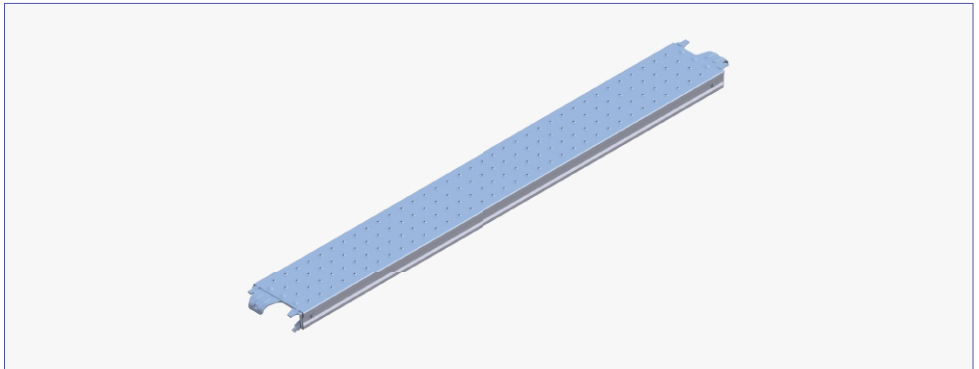
Item No.	Ref.No	Description	Weight (kgs)		Packaging	
			Kgs	Lbs	Qty.	Type
RSC	RL0956	Spigot Adapter Clamp (I- Bolt)	1.72	3.79	650	Rack+Insert

Work Platforms

Steel Plank O-Type 9.5" (240mm)

Ringlock Steel Plank, Width:9.5" (240mm), Height:70mm, Thickness:1.8mm.

S355 Steel sheet(The equivalent A572 Gr. 50, USA, ASTM. Min.yield of 51,000 psi; Min. tensile of 68,000 psi), Surface treatment: Pre-galvanized.

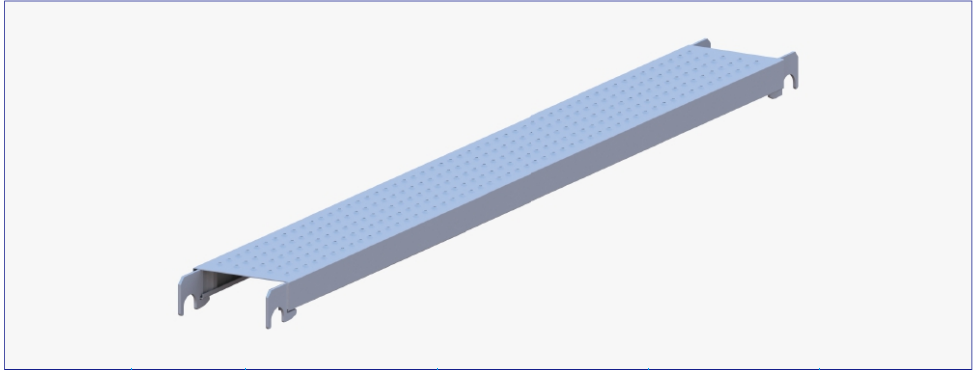


Item No.	Ref.No	Description	Height		Weight (kgs)		Packaging	
			Meters	Feet	Kgs	Lbs	Qty.	Type
RDEP20	WP0449	2' Low Profile Steel Plank	0.61	2'-0"	4.94	10.79	120	Rack
RDEP22	WP0479	2'-2" Low Profile Steel Plank	0.65	2'-2"	5.15	11.34	120	Rack
RDEP210	WP0494	2'-10" Low Profile Steel Plank	0.88	2'-9"	6.37	14.03	120	Rack
RDEP30	WP0446	3' Low Profile Steel Plank	0.914	3'-0"	6.55	14.43	120	Rack
RDEP36	WP0448	3'-6" Low Profile Steel Plank	1.065	3'-6"	7.35	16.19	60	Rack
RDEP310	WP0483	3'-10" Low Profile Steel Plank	1.15	3'-10"	7.80	17.18	60	Rack
RDEP40	WP0465	4'-0" Low Profile Steel Plank	1.22	4'-0"	8.17	18.00	60	Rack
RDEP50	WP0477	5' Low Profile Steel Plank	1.524	5'-0"	9.78	21.54	60	Rack
RDEP52	WP0478	5'-2" Low Profile Steel Plank	1.572	5'-2"	10.04	22.11	60	Rack
RDEP60	WP0463	6' Low Profile Steel Plank	1.829	6'-0"	11.40	25.11	60	Rack
RDEP70	WP0447	7' Low Profile Steel Plank	2.13	7'-0"	13.00	28.63	60	Rack
RDEP80	WP0462	8' Low Profile Steel Plank	2.44	8'-0"	14.63	32.22	60	Rack
RDEP86	WP0487	8'6" Low Profile Steel Plank	2.572	8'-6"	15.33	33.77	60	Rack
RDEP100	WP0436	10' Low Profile Steel Plank	3.05	10'-0"	17.87	39.36	60	Rack

Work Platforms

Steel Plank O-Type 9" (228mm)

Ringlock Steel Plank, Width:9" (228mm), Height:2.5" (63.5mm), Thickness:1.8mm.
S235 Steel sheet, Surface treatment: Hot dip galvanized.

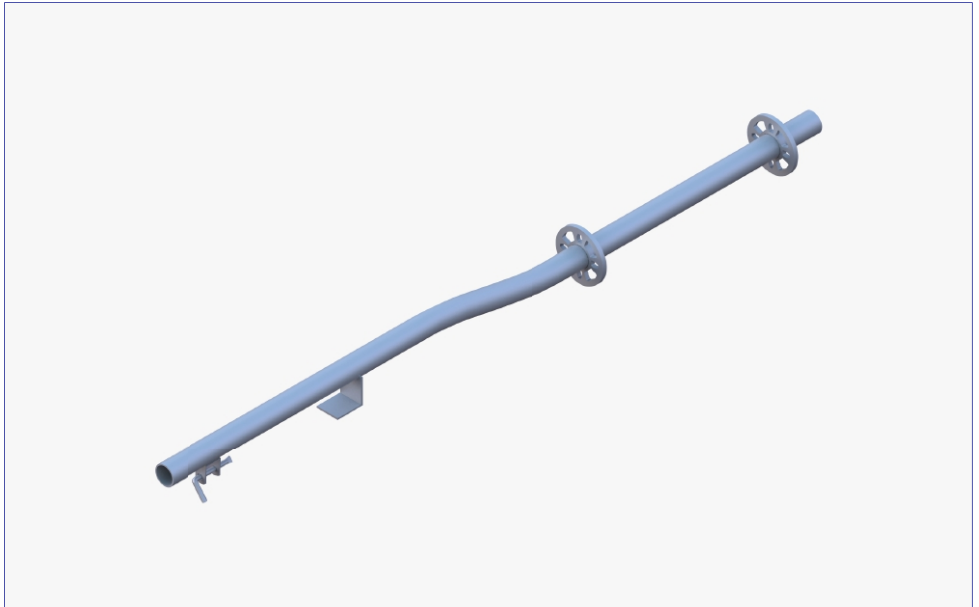


Item No.	Ref.No	Description	Height		Weight (kgs)		Packaging	
			Meters	Feet	Kgs	Lbs	Qty.	Type
RSSP20	WP0027	2' Steel Plank	0.60	2'	4.69	10.33	128	Rack
RSSP27	WP0028	2'-7" Steel Plank	0.788	2'-7"	5.71	12.58	64	Rack
RSSP210	WP0495	2'-10" Steel Plank	0.88	2'-10 5/8"	6.23	13.72	64	Rack
RSSP30	WP0029	3' Steel Plank	0.914	3'	6.43	14.16	64	Rack
RSSP36	WP0030	3'-6" Steel Plank	1.065	3'-6"	7.29	16.06	64	Rack
RSSP4	WP0032	4' Steel Plank	1.22	4'	8.17	18.00	64	Rack
RSSP50	WP0034	5' Steel Plank	1.524	5'	9.90	21.81	64	Rack
RSSP52	WP0041	5'-2" Steel Plank	1.572	5'-2"	10.17	22.40	64	Rack
RSSP60	WP0037	6' Steel Plank	1.829	6'	11.64	25.64	64	Rack
RSSP70	WP0039	7' Steel Plank	2.13	7'	13.36	29.43	64	Rack
RSSP80	WP0042	8' Steel Plank	2.44	8'	15.13	33.33	64	Rack
RSSP82	WP0409	8'-2" Steel Plank	2.5	8'2"	15.47	34.07	64	Rack
RSSP9	WP0045	9' Steel Plank	2.743	9'	16.85	37.11	64	Rack
RSSP100	WP0046	10' Steel Plank	3.05	10'	18.61	40.99	64	Rack

Access & Egress

Guardrail Standard

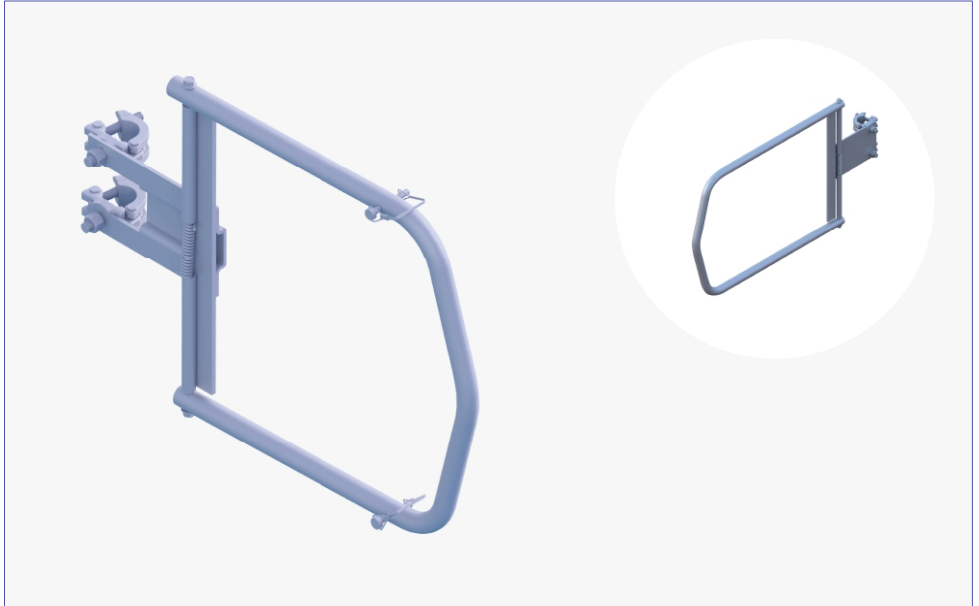
The guardrail Standard is designed to provide a vertical connection to secure Ledger.
 Tube size: OD48.3x3.2mm, Steel Grade:S355 (The equivalent A572 Gr. 50, USA, ASTM. Min.yield of 51,000 psi; Min. tensile of 68,000 psi). Surface treatment: Hot dip galvanized.



Item No.	Ref.No	Description	Height		Weight (kgs)		Packaging	
			Meters	Feet	Kgs	Lbs	Qty.	Type
RGP	RL0100	1.7M Guardrail Post	1.7	5'-6"	8.44	18.59	70	Rack

Safety Gate

The safety gate allows safe access to the working platform. The sprung gate mechanism ensures that the access opening remains fully closed when the scaffold is in use.



Item No.	Ref.No	Description	Min Extension		Max Extension		Packaging	
			Meters	Inches	Meters	Inches	Qty.	Type
RCW	AS0224	3' ~5' Swing Gate	0.61	36	1.52	60.00	36	Rack
RCWL	RL0016	Gate Expandable Safety Gate 35" to 56"	0.89	34.65	1.42	56.00	36	Rack

Adjustable Base Jack

Ringlock adjustable base jack is used for leveling the scaffold-standards at the same height. OD: 38.1x4.5mm. Base plate: 150x150x6mm. Surface treatment: Hot dip galvanized or Electroplated.



Item No.	Ref.No	Description	Height		Weight (kgs)		Packaging	
			Meters	Feet	Kgs	Lbs	Qty.	Type
CSJB	AS0020	24" Adjustable Base Jack	0.6	2'	3.48	7.67	220	Rack

Swivel Base Jack

The swivel base jack can be used when standards need to be placed on slopes.
 OD: 38.1x4.5mm. Base plate: 150x150x6mm. Surface treatment: Hot dip galvanized or Electroplated.



Item No.	Ref.No	Description	Height		Weight (kgs)		Packaging	
			Meters	Feet	Kgs	Lbs	Qty.	Type
CSJS	AS0021	24" Swivel Base Jack	0.6	2'	4.27	9.41	220	Rack

Adjustable Caster Adapert

Caster Adapter is mainly used for connecting caster wheel to the vertical pole.



Item No.	Ref.No	Description	Height		Weight (kgs)		Packaging	
			Meters	Feet	Kgs	Lbs	Qty.	Type
RACA	RL0119	Adjustable Caster Adapert	0.315	9.75"	3.7	8.15	144	Rack+Inser

12" Caster Wheel

Scaffolding caster wheel is used at bottom of scaffolding vertical tube, enabling the scaffolding system to be a mobile Platform.



Item No.	Ref.No	Description	Height		Weight (kgs)		Packaging	
			Meters	Feet	Kgs	Lbs	Qty.	Type
CW12	RL0118	12" Caster Wheel	0.3	12"	19	41.85	144	Rack+Inser

Starter/ Base Collar

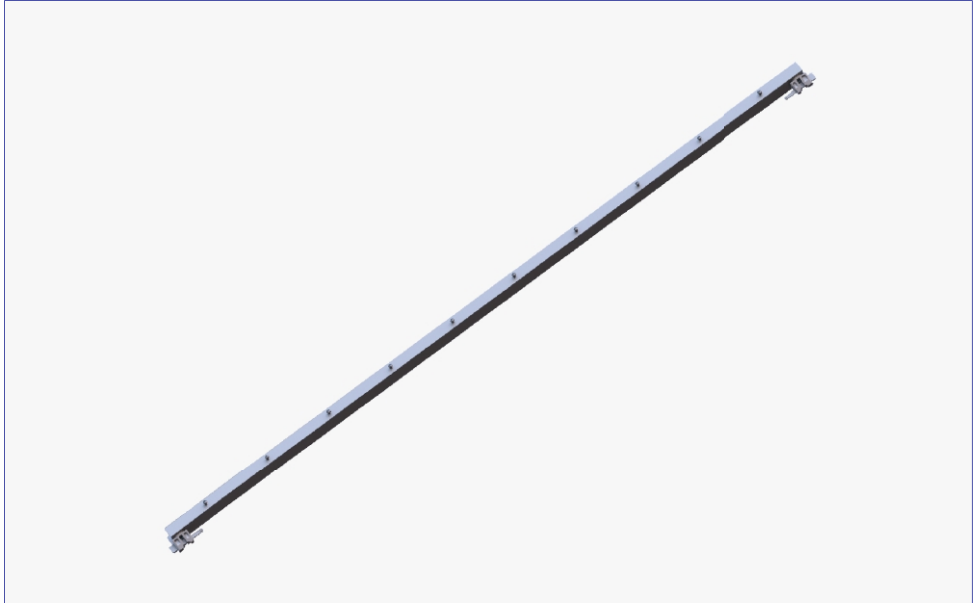
The base collar is the beginning of the Ringlock scaffolding system. It sits upon a fixed or adjustable base.



Item No.	Ref.No	Description	Height		Weight (kgs)		Packaging	
			Meters	Feet	Kgs	Lbs	Qty.	Type
RSBC	RL0248	Starter/Base Collar	0.31	1'-0"	1.74	3.83	385	Rack

Staircase and Steps

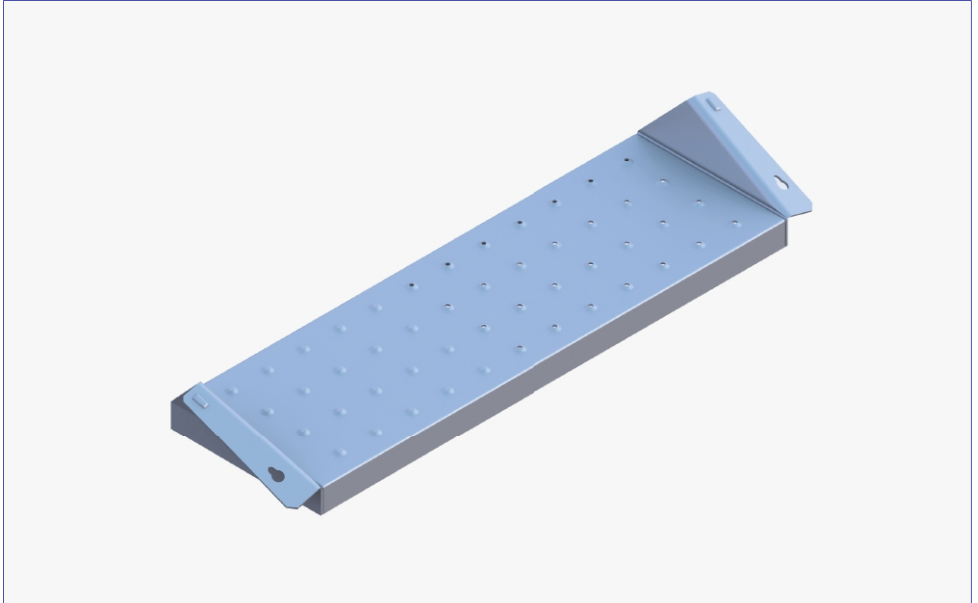
Ringlock Staircase tower incorporate purpose designed stairway unites and offer a safer, quicker,more efficient route between levels on site.



Item No.	Ref.No	Description	Height		Weight (kgs)		Packaging	
			Meters	Feet	Kgs	Lbs	Qty.	Type
RSS213	RL0328	Stair Stringer(2.0m lift)	2.13	7'	15.5	34.14	110	Rack

Stair Tread

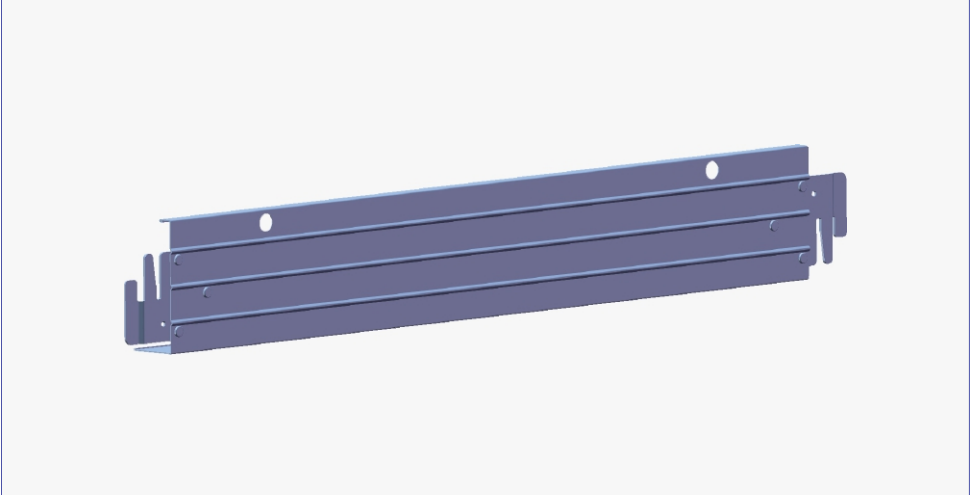
The stair tread is designed as the horizontal member connecting to the stair stringers (both 1.0m and 2.0m lift) providing the steps of the stair system.



Item No.	Ref.No	Description	Height		Weight (kgs)		Packaging	
			Meters	Feet	Kgs	Lbs	Qty.	Type
RST857	RL1443	32" Stair Tread, 305mm Steel Board	0.857	32"	8.5	18.72	69	Rack+Insert
RST857S	RL0250	32" Stair Tread, 262mm Steel Board	0.857	32"	7.1	15.64	69	Rack+Insert

Interlocking Toeboard

The interlocking toeboard is designed as the horizontal member connecting to provide a protection for scaffolding tools.



Item No.	Ref.No	Description	Height		Weight (kgs)		Packaging	
			Meters	Feet	Kgs	Lbs	Qty.	Type
RSITB22	WP0435	2'-2" Interlocking Toeboard	0.65	2'-2"	2.12	4.67	400	Rack
RSITB210	WP0496	2'-10" Interlocking Toeboard	0.88	2'-10-5/8"	2.77	6.10	400	Rack
RSITB30	WP0497	3' Interlocking Toeboard	0.91	3'-0"	2.86	6.30	400	Rack
RSITB36	WP0498	3'-6" Interlocking Toeboard	1.065	3'-6"	3.29	7.25	200	Rack
RSITB310	WP0434	3'-10" Interlocking Toeboard	1.15	3'-10"	3.52	7.75	200	Rack
RSITB50	WP0499	5' Interlocking Toeboard	1.52	5'-0"	4.57	10.07	200	Rack
RSITB52	WP0433	5'-2" Interlocking Toeboard	1.57	5'-2"	4.71	10.37	200	Rack
RSITB60	WP0500	6' Interlocking Toeboard	1.82	6'-0"	5.43	11.96	200	Rack
RSITB70	WP0432	7' Interlocking Toeboard	2.13	7'-0"	6.27	13.81	200	Rack
RSITB80	WP0501	8' Interlocking Toeboard	2.43	8'-0"	7.14	15.73	200	Rack
RSITB10	WP0431	10' Interlocking Toeboard	3.05	10'-0"	8.84	19.47	200	Rack

Non-Slip Steel Ladder

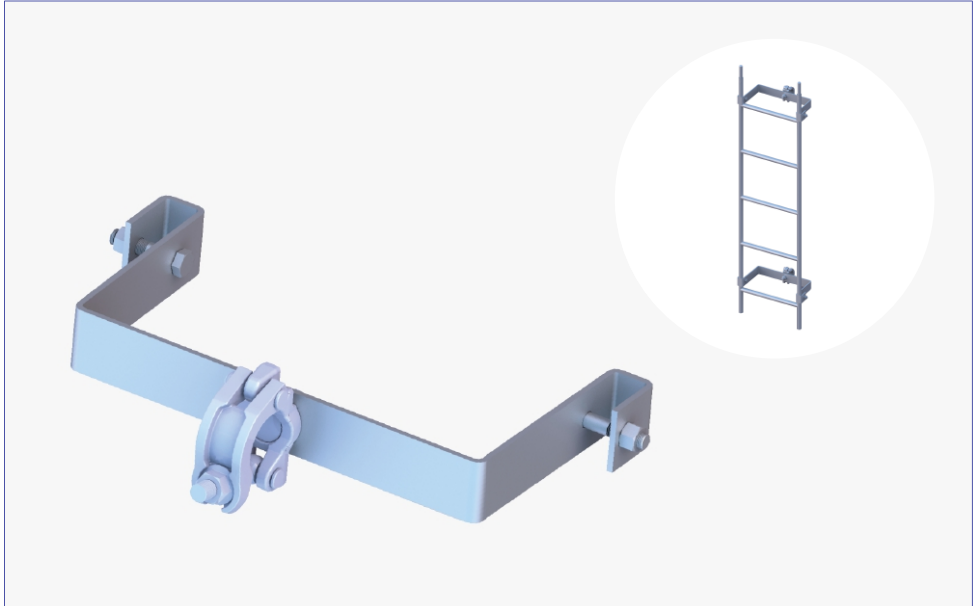
The Non-Slip Steel Ladder is designed to attach (using Ladder Brackets) on the inside or outside of a scaffold to provide safe access to the various deck levels. Width:13-2/3"(347mm).



Item No.	Ref.No	Description	Height		Weight (kgs)		Packaging	
			Meters	Feet	Kgs	Lbs	Qty.	Type
RSAL03	RL1497	3' Non-Slip Steel Ladder	0.91	3'	6.81	15.00	25	Rack
RSAL05	RL1498	5' Non-Slip Steel Ladder	1.52	5'	9.74	21.45	25	Rack
RSAL10	RL1499	10' Non-Slip Steel Ladder	3.05	10'	18.54	40.84	25	Rack

Ladder Bracket

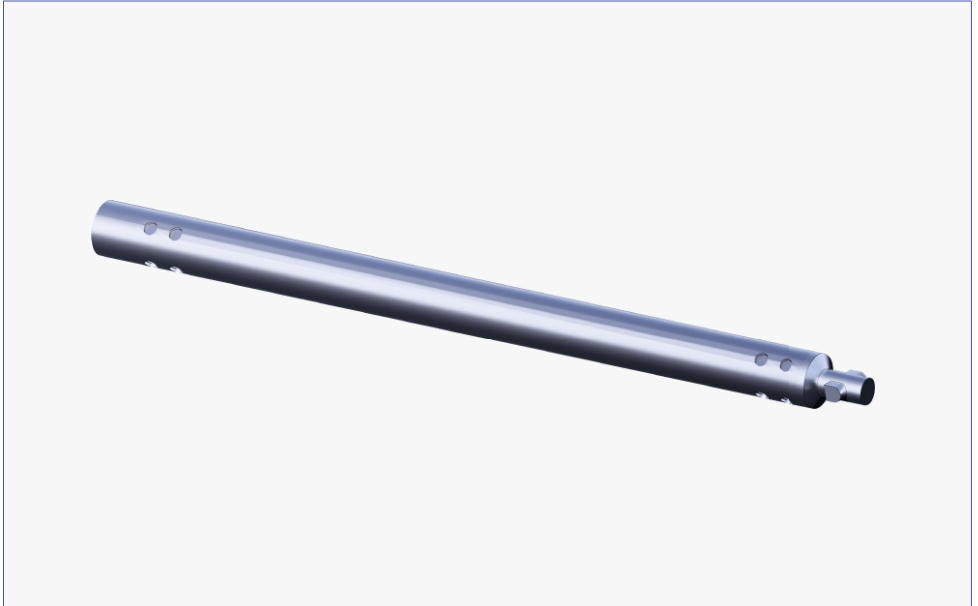
The Ladder bracket is designed to attach the ladders to the vertical or horizontal members of the scaffold tower. Width:13-2/3"(347mm).



Item No.	Ref.No	Description	Height		Weight (kgs)		Packaging	
			Meters	Feet	Kgs	Lbs	Qty.	Type
RSALB	RL1500	Ladder Bracket	0.347	13-2/3"	3.7	8.15	170	Rack+Insert

Tube Lock / Interlock Tubes

The interlock tubes are designed to be used as bay braces for flexible usage.
 Tube size: OD48.3x2.5mm, Steel Grade: S235. Surface treatment: Hot dip galvanized.

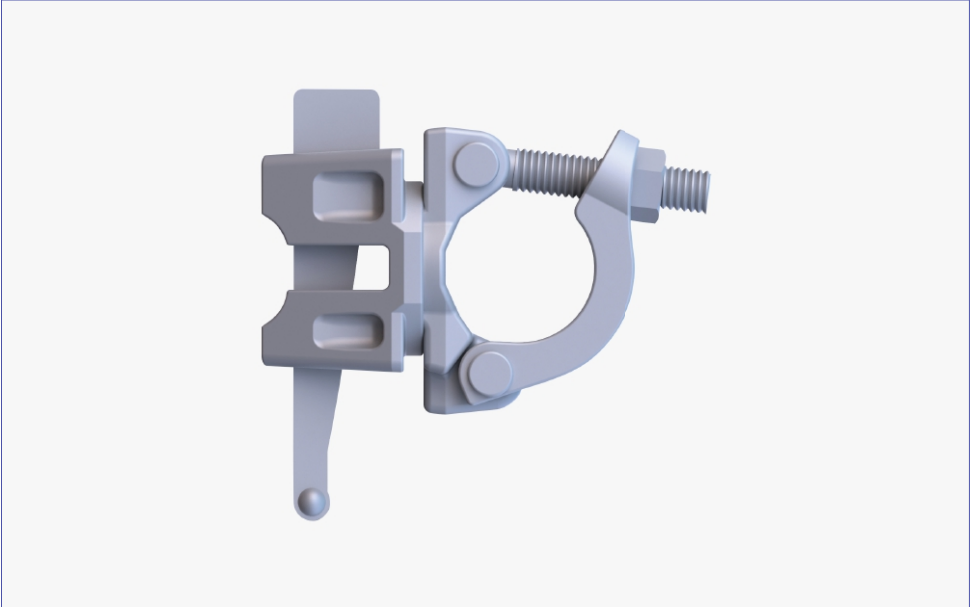


Item No.	Ref.No	Description	Height		Weight (kgs)		Packaging	
			Meters	Feet	Kgs	Lbs	Qty.	Type
RSTB4	TC0179	4' Interlock Tubes	1.22	4'-0"	5.71	12.58	150	Rack
RSTB6	TC0180	6' Interlock Tubes	1.83	6'-0"	7.37	16.23	150	Rack
RSTB8	TC0181	8' Interlock Tubes	2.44	8'-0"	9.03	19.89	150	Rack
RSTB10	TC0182	10' Interlock Tubes	3.05	10'-0"	10.69	23.55	150	Rack
RSCB13	TC0183	13' Interlock Tubes	3.96	13'-0"	13.17	29.01	150	Rack

Ringlock Accessories

Right Angle Adapter Clamp

The right angle wedge head coupler is designed to easily join a scaffold tube directly to the rosette at 90 degrees.

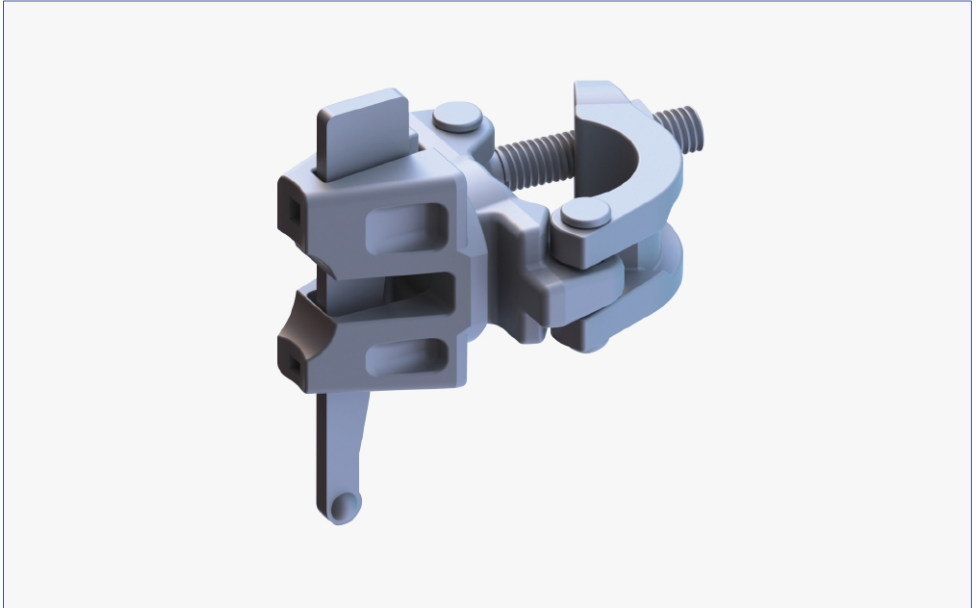


Item No.	Ref.No	Description	Weight (kgs)		Packaging	
			Kgs	Lbs	Qty.	Type
RWR	RL1110	Wedge head coupler, right angle, I bolt	1.59	3.50	650	Rack+Insert

Ringlock Accessories

Wedge head swivel coupler

The swivel adapter clamp is designed to easily join a scaffold tube to the rosette of a Ringlock scaffold producing a variety of angles and configurations.

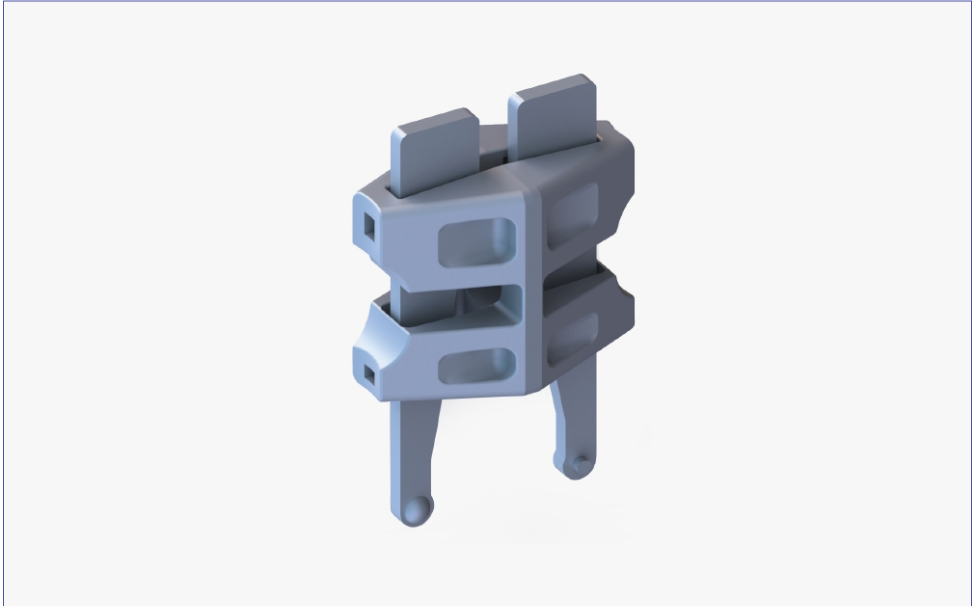


Item No.	Ref.No	Description	Weight (kgs)		Packaging	
			Kgs	Lbs	Qty.	Type
RWS	RL1530	Wedge head coupler, swivel, I bolt	1.61	3.55	650	Rack+Insert

Ringlock Accessories

Wedge head coupler

Wedge head coupler allows the connection of ringlock standards to enforce its strength.

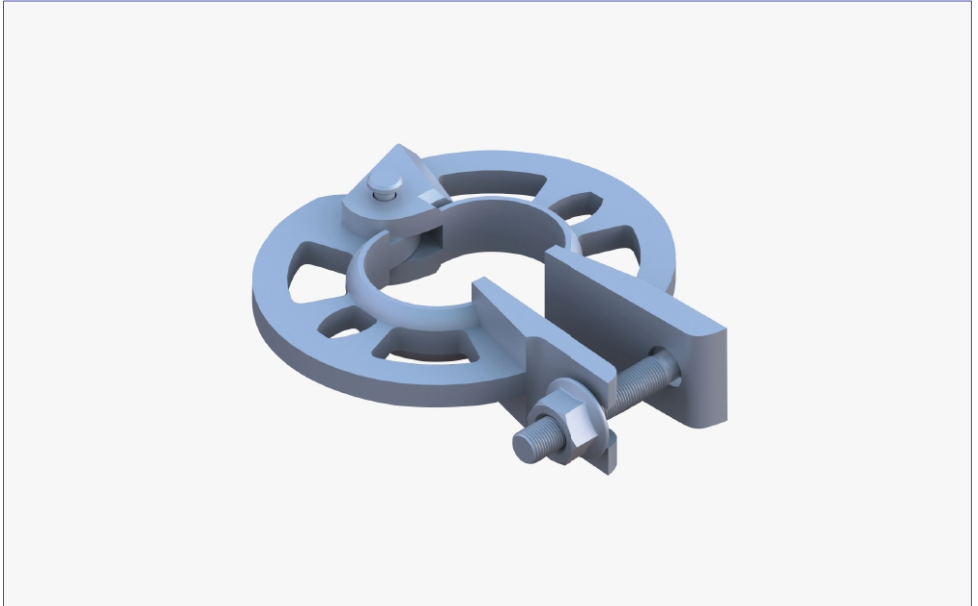


Item No.	Ref.No	Description	Weight (kgs)		Packaging	
			Kgs	Lbs	Qty.	Type
WHC	RL1314	Wedge head coupler	1.32	2.91	650	Rack+Insert

Ringlock Accessories

Rosette Clamp

The rosette clamp is used to add a rosette at any point on a vertical standard or tube.



Item No.	Ref.No	Description	Weight (kgs)		Packaging	
			Kgs	Lbs	Qty.	Type
RRC	TC0211	Rosette Clamp, 22mm	1.2	2.64	750	Rack+Insert

Ringlock Accessories

Right Angle Clamp

The right angle wedge head coupler is designed to easily join a scaffold tube directly to the rosette at 90 degrees.



Item No.	Ref.No	Description	Weight (kgs)		Packaging	
			Kgs	Lbs	Qty.	Type
RACW	TC0024	Right Angle Clamp (Wedge)	1.5	3.30	500	Rack+Insert

Ringlock Accessories

Swivel Clamp (Wedge)

The swivel adapter clamp is designed to easily join a scaffold tube to the rosette of a Ringlock scaffold producing a variety of angles and configurations.



Item No.	Ref.No	Description	Weight (kgs)		Packaging	
			Kgs	Lbs	Qty.	Type
SCW	TC0189	Swivel Clamp (Wedge)	1.69	3.72	500	Rack+Insert

Ringlock Accessories

Beam Clamp

The beam clamp is designed to be connected with Steel I Beams.



Item No.	Ref.No	Description	Weight (kgs)		Packaging	
			Kgs	Lbs	Qty.	Type
BC	TC0059	Beam Clamp	1.45	3.19	1000	Rack+Insert

Ringlock Accessories

Swivel Beam Clamp

The swivel beam clamp is designed to be connected with Steel I Beams.

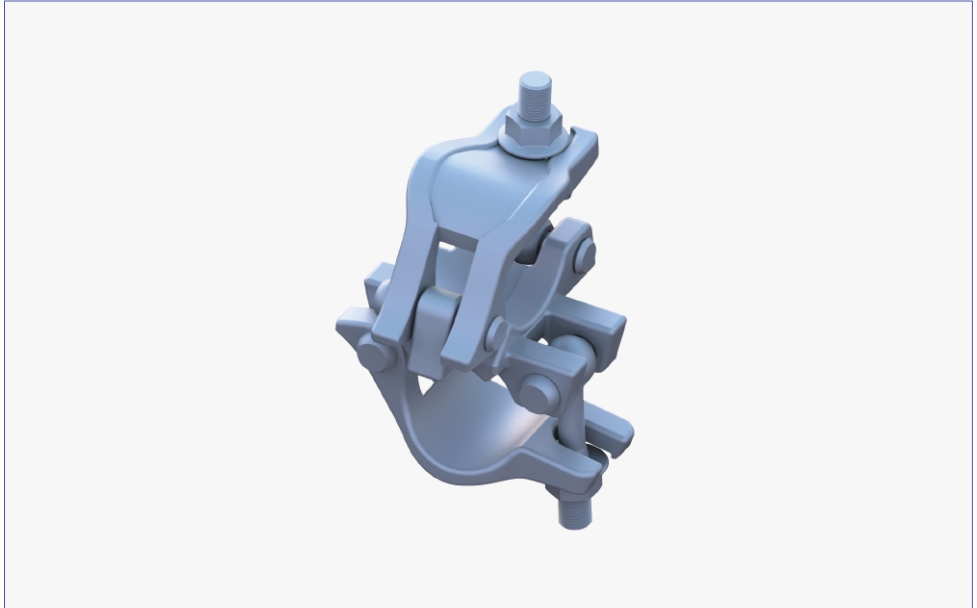


Item No.	Ref.No	Description	Weight (kgs)		Packaging	
			Kgs	Lbs	Qty.	Type
SBC	TC0177	Swivel Beam Clamp	1.80	3.96	1000	Rack+Insert

Ringlock Accessories

Right Angle Clamp (I-Bolt)

The right angle clamp (I-Bolt) is designed to be used in conjunction with scaffold tube to create 90 degree angles.



Item No.	Ref.No	Description	Weight (kgs)		Packaging	
			Kgs	Lbs	Qty.	Type
RAC	TC0020	Right Angle Clamp	1.50	3.30	700	Rack+Insert

Ringlock Accessories

Swivel Clamp (I-Bolt)

The swivel clamp (I-Bolt) is designed to be used in conjunction with scaffold tube to create a variety of angles.



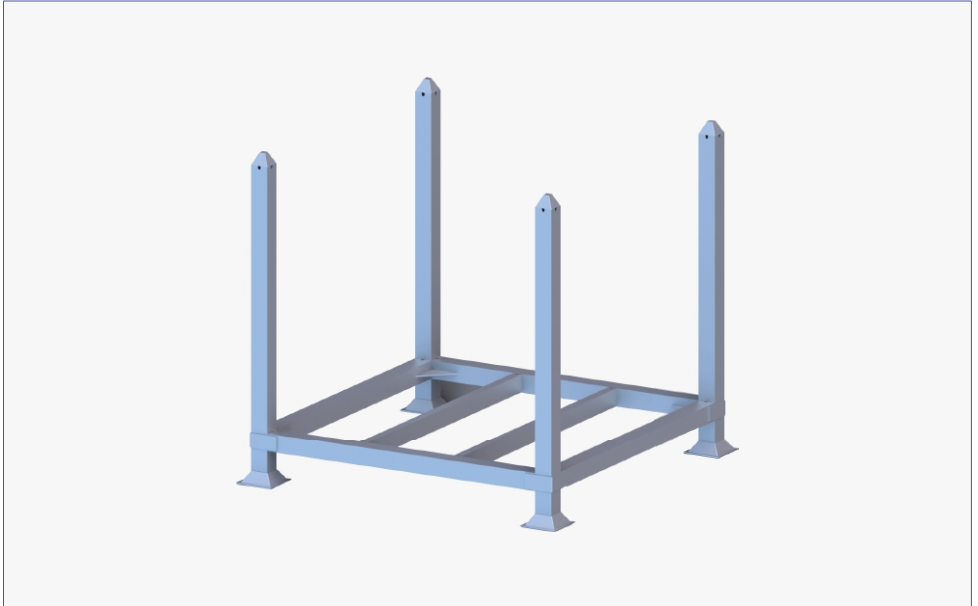
Item No.	Ref.No	Description	Weight (kgs)		Packaging	
			Kgs	Lbs	Qty.	Type
SC	TC0021	Swivel Clamp	1.80	3.96	700	Rack+Insert

Product available in a Nut Size of 21mm (UK), 22mm (7/8" N. America) and 23mm (Aus.)

Ringlock Accessories

Scaffold Rack

The scaffold rack is designed to load scaffolding components for transportation.



Item No.	Ref.No	Description	Weight (kgs)		Packaging	
			Kgs	Lbs	Qty.	Type
CSR	AS0180	Scaffold Rack 42"x42"x34.25" (1060x1060x870mm)	46	101.32	1	Rack

Ringlock Accessories

Scaffold Basket Rack

The scaffold rack is designed to load scaffolding components for transportation.

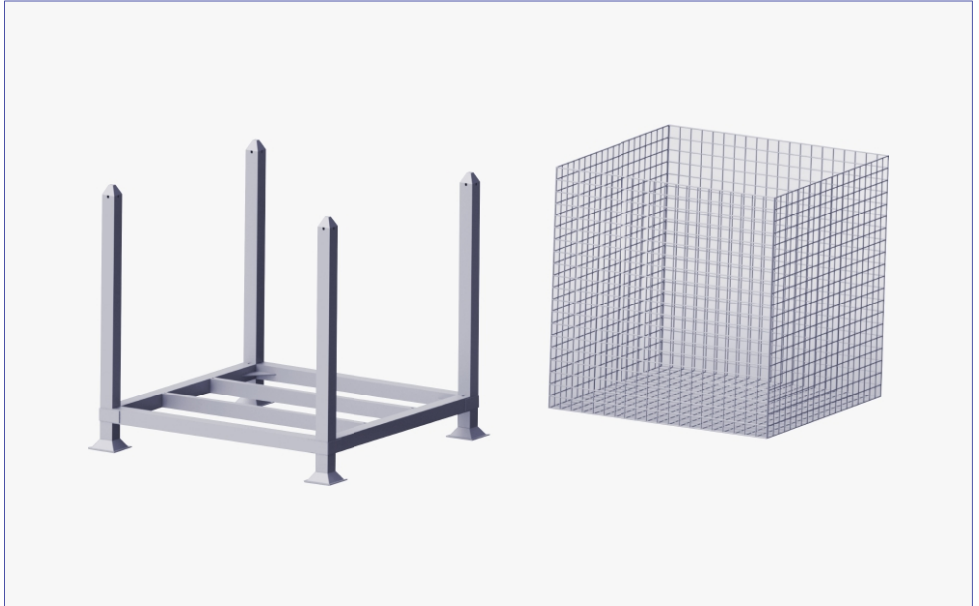


Item No.	Ref.No	Description	Weight (kgs)		Packaging	
			Kgs	Lbs	Qty.	Type
CSBR	AS0203	Scaffold Basket Rack 42"x42"x34.25" (1060x1060x870mm)	60	132.16	1	Rack

Ringlock Accessories

Scaffold Cage Insert

The scaffold cage insert is designed to fit into the storage rack, to create the basket for storage of clamps and accessories.



Item No.	Ref.No	Description	Weight (kgs)		Packaging	
			Kgs	Lbs	Qty.	Type
CSCI	AS0384	Scaffold Cage Insert (40"x40"x33")	23.45	51.65	1	Rack



RINGLOCK SYSTEM

North America



CHINA

5 Xinghan Street, Suzhou, Jiangsu 215021

USA

TX, USA: 1133 East Airtex Drive Houston, TX 77073.

Tel: +1 281-903-6547 Nicole Doyle

LA, USA: 343 Phosphor Ave, Metairie LA. 70005.

Tel: +1-504-432-1124 Jose Chaumont

CHILE

Tel: +56 978 082717 Bernardo Gutiérrez

EMAIL

coronet@coronet-scaffold.com

WEB

www.coronet.com / www.coronet-scaffold.com