

**coronet** Scaffold  
Building Future!



# SPEED FRAME

WE  
PROVIDE  
SCAFFOLDING  
GLOBALLY.

2023

CORONET

# TABLE OF CONTENTS



<b>INTRODUCTION</b>	<b>02</b>
<b>OVERVIEW</b>	<b>03-05</b>
Speed Frame Quality Factors	03
Product Traceability	04
Coronet Overview	05
<b>SPEED FRAMES</b>	<b>06-33</b>
Steel Frame	06-9
Starter U-transom	10
Top End Frame with spigot	11
Intermediate Frame with spigot	12
Single guardrail	13
Double guardrail	14
Base ledger with 2 wedge half-couplers	15
Single end guardrail	16
Double end guardrail	17
Diagonal brace with wedge half-coupler	18
Diagonal brace with 2 half-couplers	19
Side Bracket U-Type	20
Steel Plank U-Type	21
Adjustable Base Jack	22
Swivel Base Jack	23
Wall Tie	24
Aluminum Plywood Access Decks U-type	25
Aluminum Access Decks U-type	26
Stairs U-type with guardrails	27
Aluminum Platform Stairs U-Type and Platform Stairs Guardrails	28
Toe Board	29
End Tob Board	30
Spigot Adapter Clamp U-type	31
Rack	32
Rack Cage Insert	33

ABOUT

# CORONET



Founded in 2004, Coronet has its headquarters in Suzhou, China, subsidiary in L.A, USA. We have evolved from a small scaffold company in 2004 to one of the largest and most successful and qualified scaffolding companies in China. We have worked diligently and successfully together for the past 19 years to make Coronet Scaffold the success it is today, and look forward to Coronet's continued growth and success, going forward into more scaffolding sales and innovations.



# OVERVIEW

## Coronet Quality

### [ MATERIAL ]

We only use the high quality steel in our products. Our steel facilities in Southern China (Near Shanghai) which is known for the quality of its steel and workmanship.

### [ WELDING ]

Our welding process monitoring and control involves routine or continuous monitoring of process variables, particularly current, time and force.

### [ FINISHING ]

Frame productions are finished and protected by hot-dipped zinc galvanizing or powder coated. This method of finishing maximizes surface durability.

### [ TRACEABILITY ]

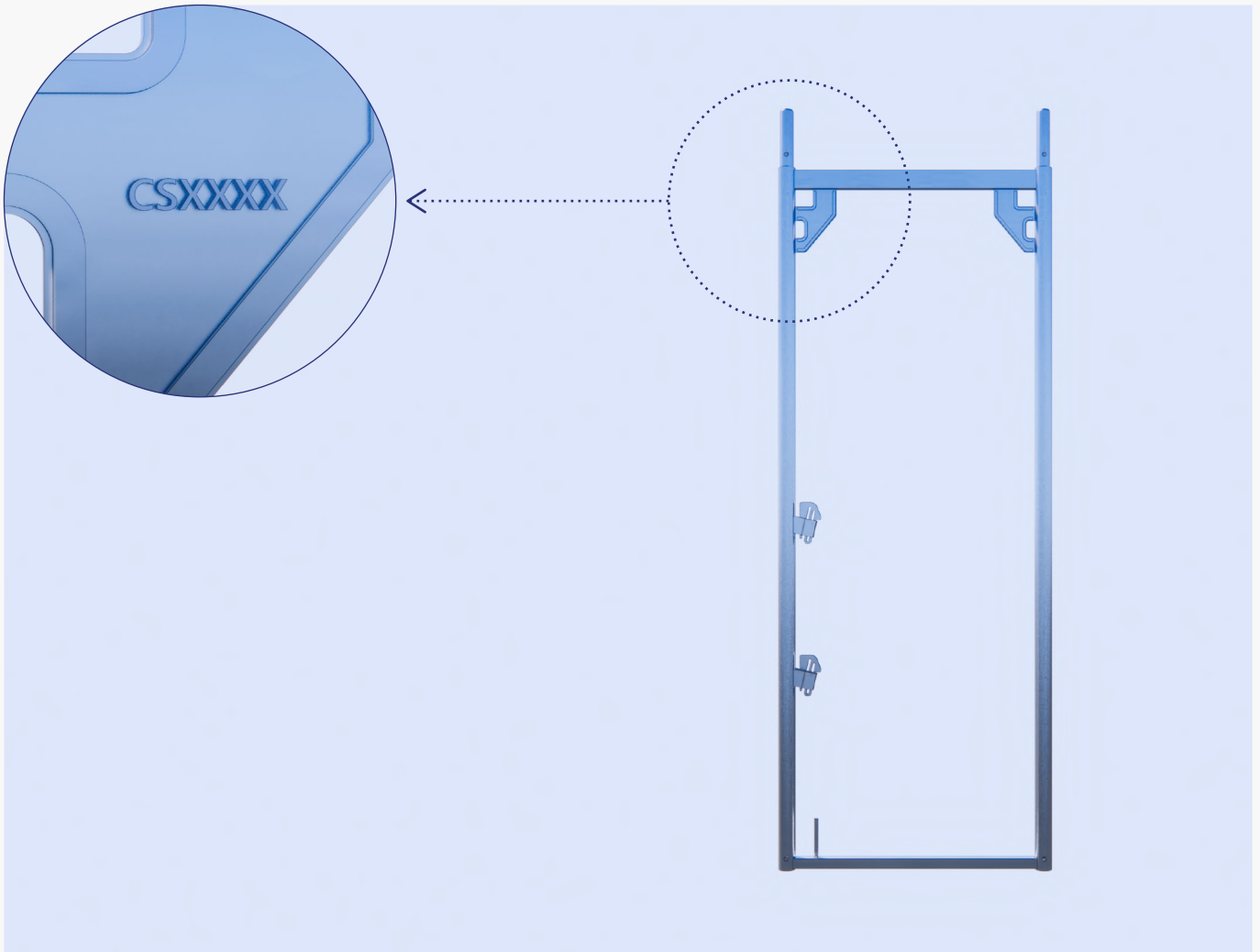
Traceability imprinted code on all frames for quality assurance.

# OVERVIEW

## Product Traceability

All coronet componets are stamped with traceability marks.

**KEY** | Batch Number : CS X XXX  
CS= Coronet Scaffold    X= Year of Manufacture    XXX= Order Number

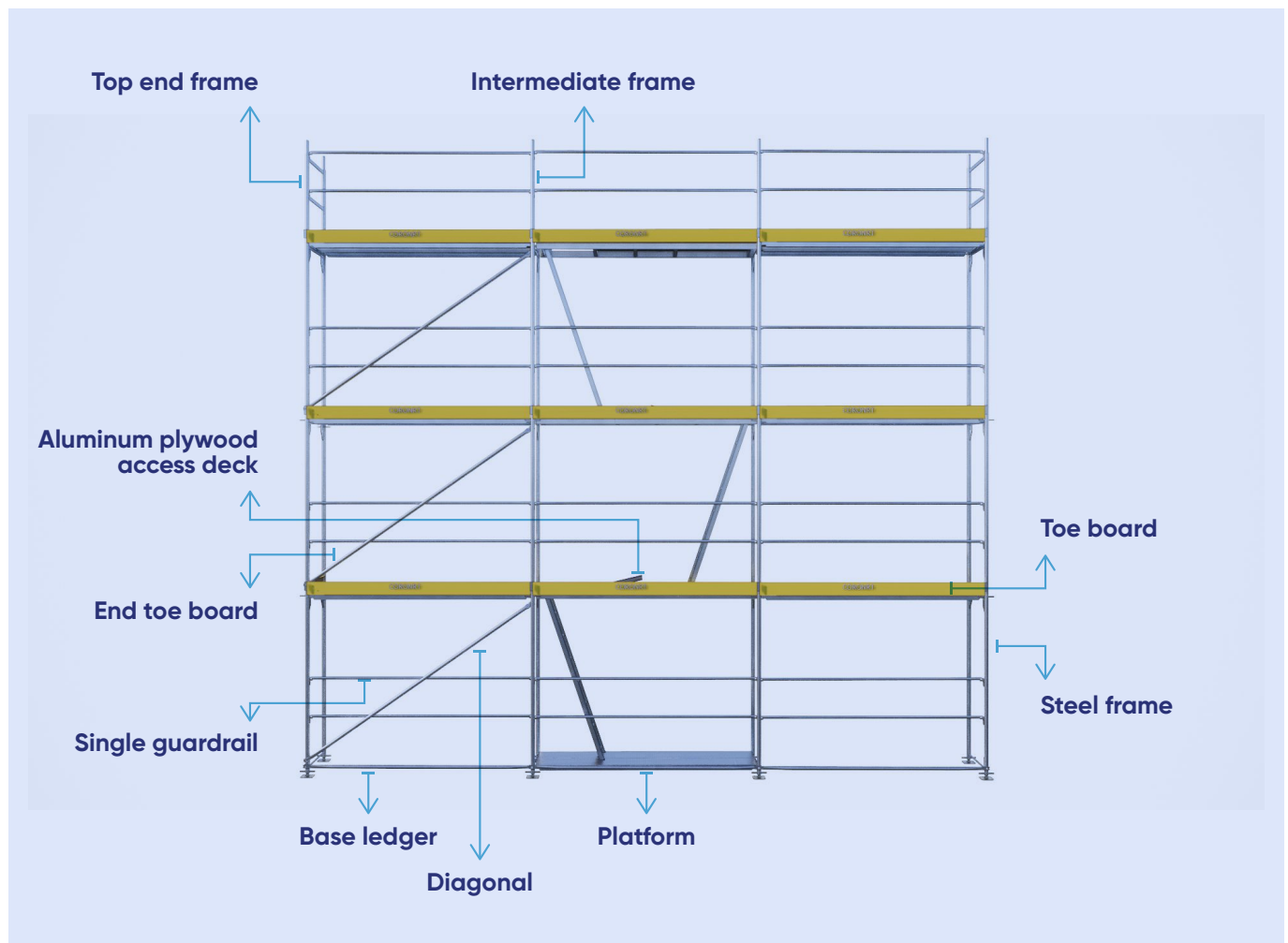


# OVERVIEW

## Component Overview

### Component Identification

The following diagram represents the most common speed frame components used. Most scaffold structure are made from these basic components yet the speed frame system comes with a variety of accessories for all your scaffolding requirements.

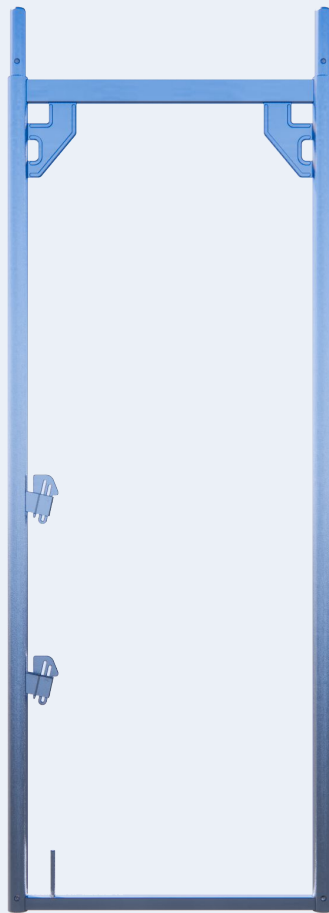


# SPEED FRAME

## Steel Frame

Steel frame 2.0\*0.73m with 2 guardrail locks for external guardrails, Steel grade: Q235&Q345. Hot dip galvanized.

Up to load class 3 (2KN/M2) as per NCH2501 and DIN EN 12811



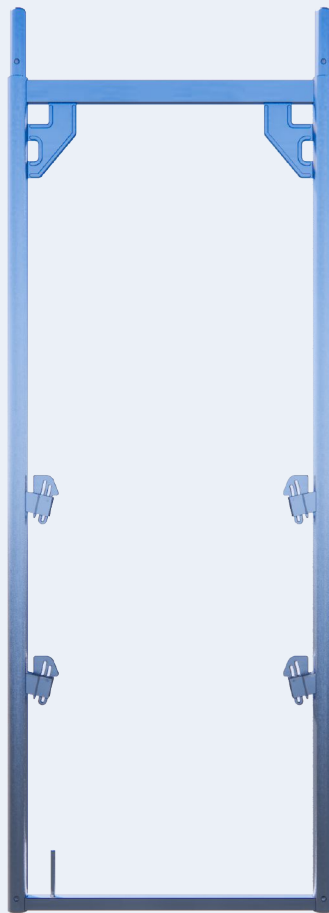
Item No.	Description	Weight (kgs)
SF0002	2.0*0.73M	18.80

# SPEED FRAME

## Steel Frame

Steel frame 2.0\*0.73m with 4 guardrail locks for external and internal guardrails, Steel grade: Q235&Q345. Hot dip galvanized.

Up to load class 3 (2KN/M2) as per NCH2501 and DIN EN 12811



Item No.	Description	Weight (kgs)
SF0017	2.0*0.73M	19.60

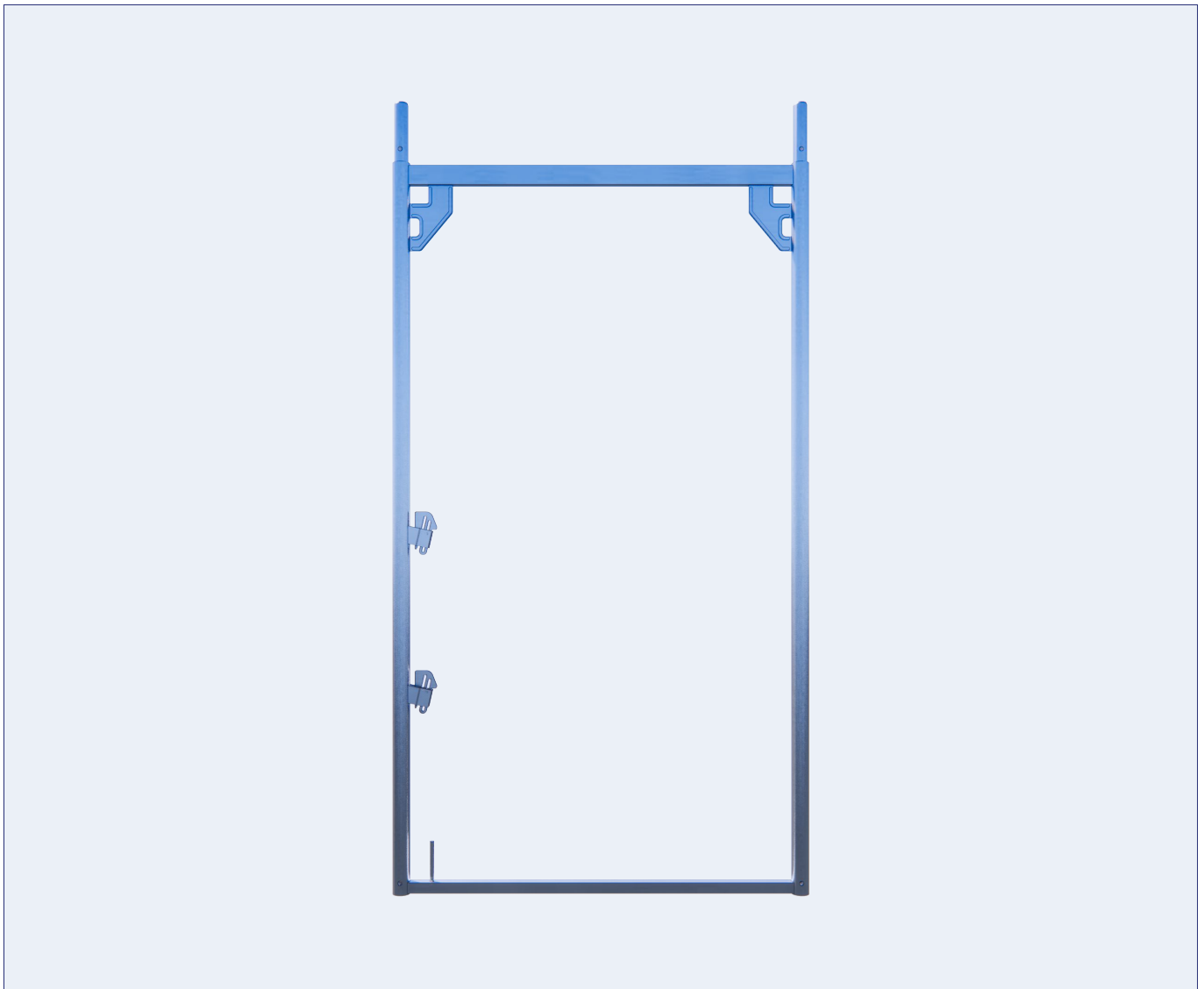


# SPEED FRAME

## Steel Frame

Steel frame 2.0\*1.09m with 2 guardrail locks for external guardrails, Steel grade: Q235&Q345. Hot dip galvanized.

Up to load classes 4 – 6 as per DCH2501 and DIN EN 12811 (depending on deck design and bay length).



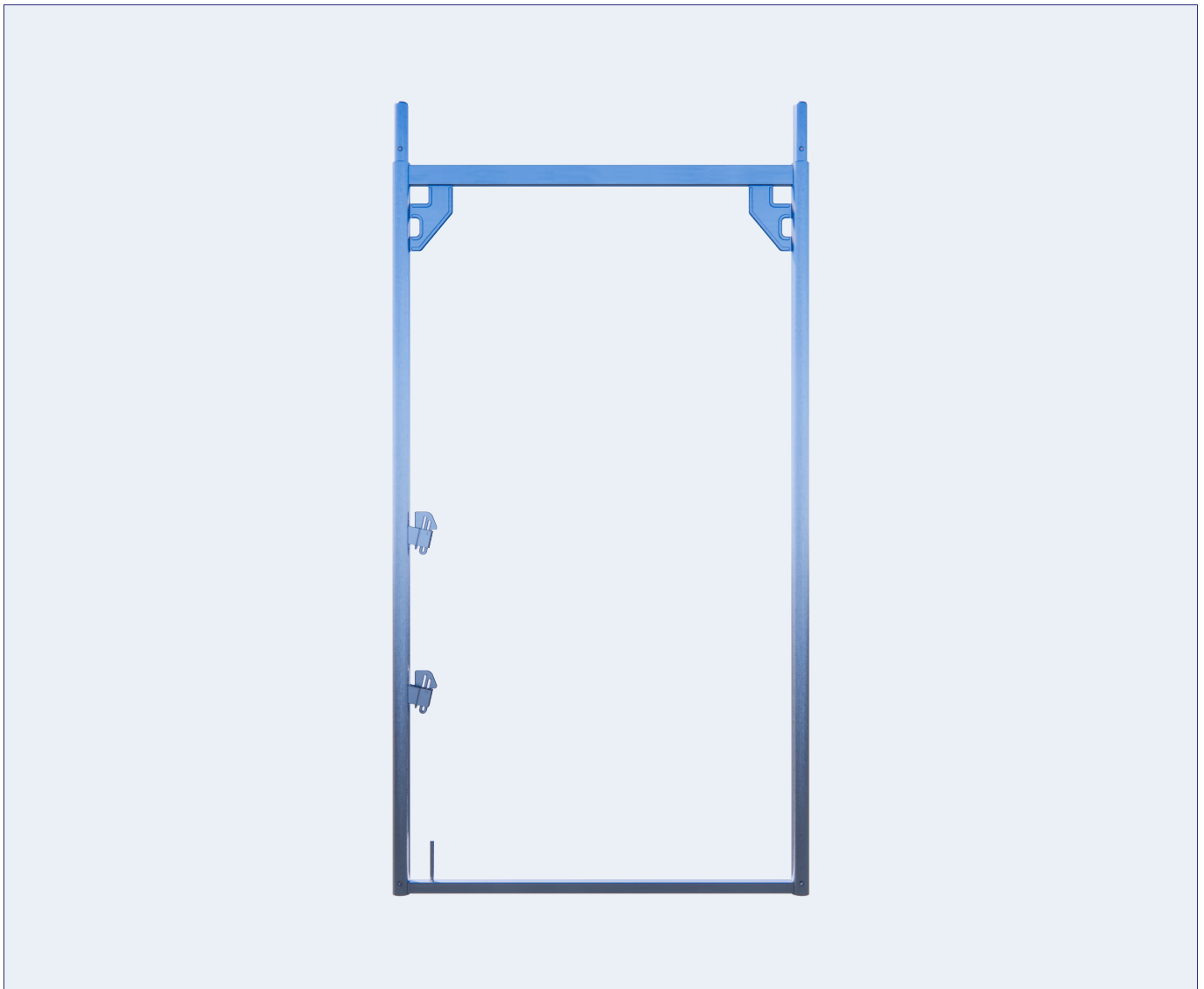
Item No.	Description	Weight (kgs)
SF0018	2.0*1.09M	21.50

# SPEED FRAME

## Steel Frame

Steel frame 2.0\*1.09m with 4 guardrail locks for external and internal guardrails, Steel grade: Q235&Q345. Hot dip galvanized.

Up to load classes 4 – 6 as per DCH2501 and DIN EN 12811 (depending on deck design and bay length).

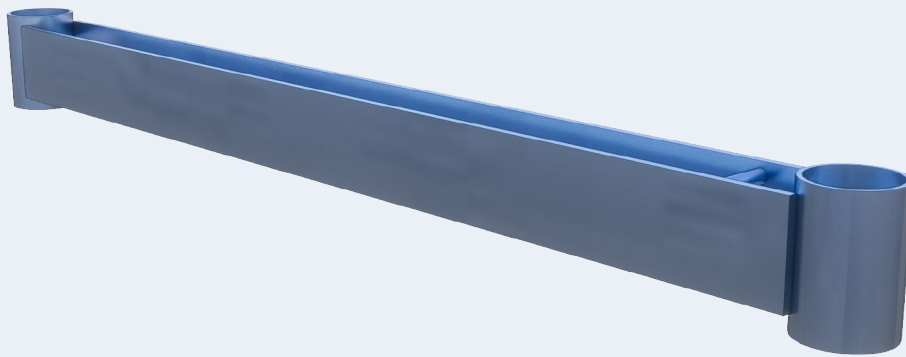


Item No.	Description	Weight (kgs)
SF0019	2.0*1.09M	22.30

# SPEED FRAME

## Starter U-transom

Starter U-transom. Steel grade: Q235. Hot dip galvanized.



Item No.	Description	Weight (kgs)
SF0001	0.73M	3.80
SF0020	1.09M	5.10

# SPEED FRAME

## Top End Frame with spigot

Top End Frame with spigot. Steel grade: Q235&Q345. Hot dip galvanized.

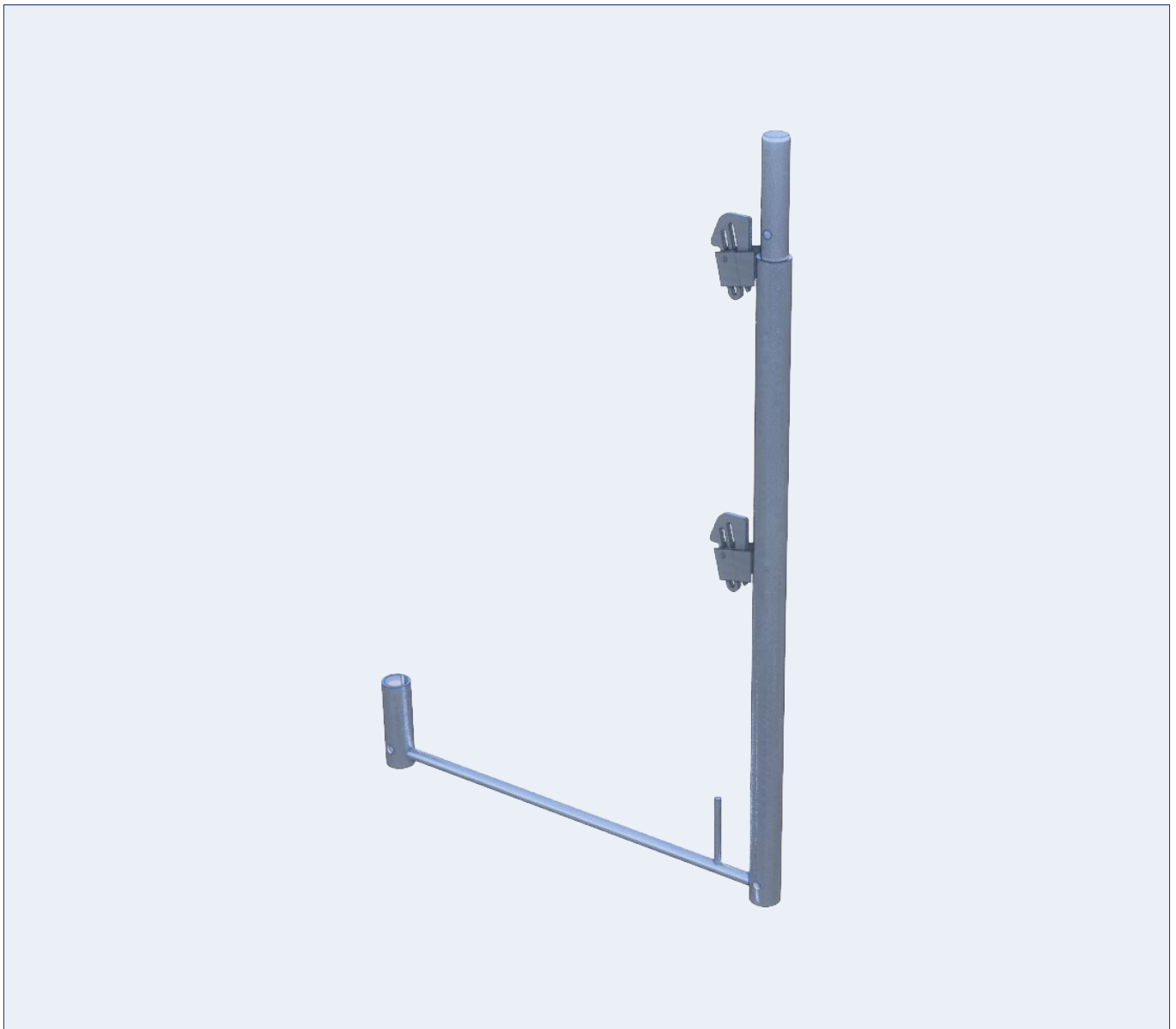


Item No.	Description	Weight (kgs)
SF0006	1.0*0.73M	13.30
SF0021	1.0*1.09M	14.90

# SPEED FRAME

## Intermediate Frame with spigot

Intermediate Frame with spigot. Steel grade: Q235&Q345. Hot dip galvanized.

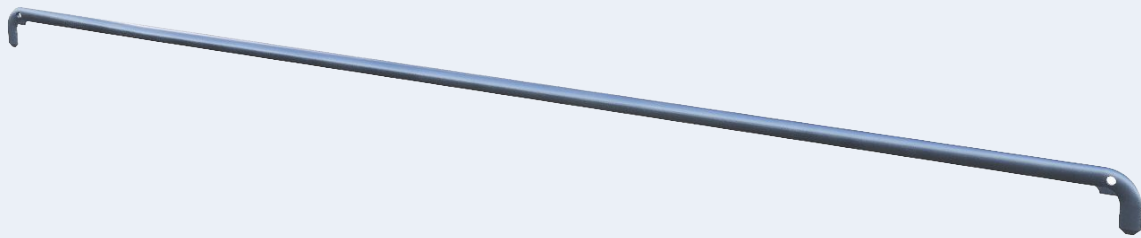


Item No.	Description	Weight (kgs)
SF0007	1.0*0.73M	6.50
SF0022	1.0*1.09M	8.50

# SPEED FRAME

## Single guardrail

Single guardrail. Steel grade: Q235. Hot dip galvanized.

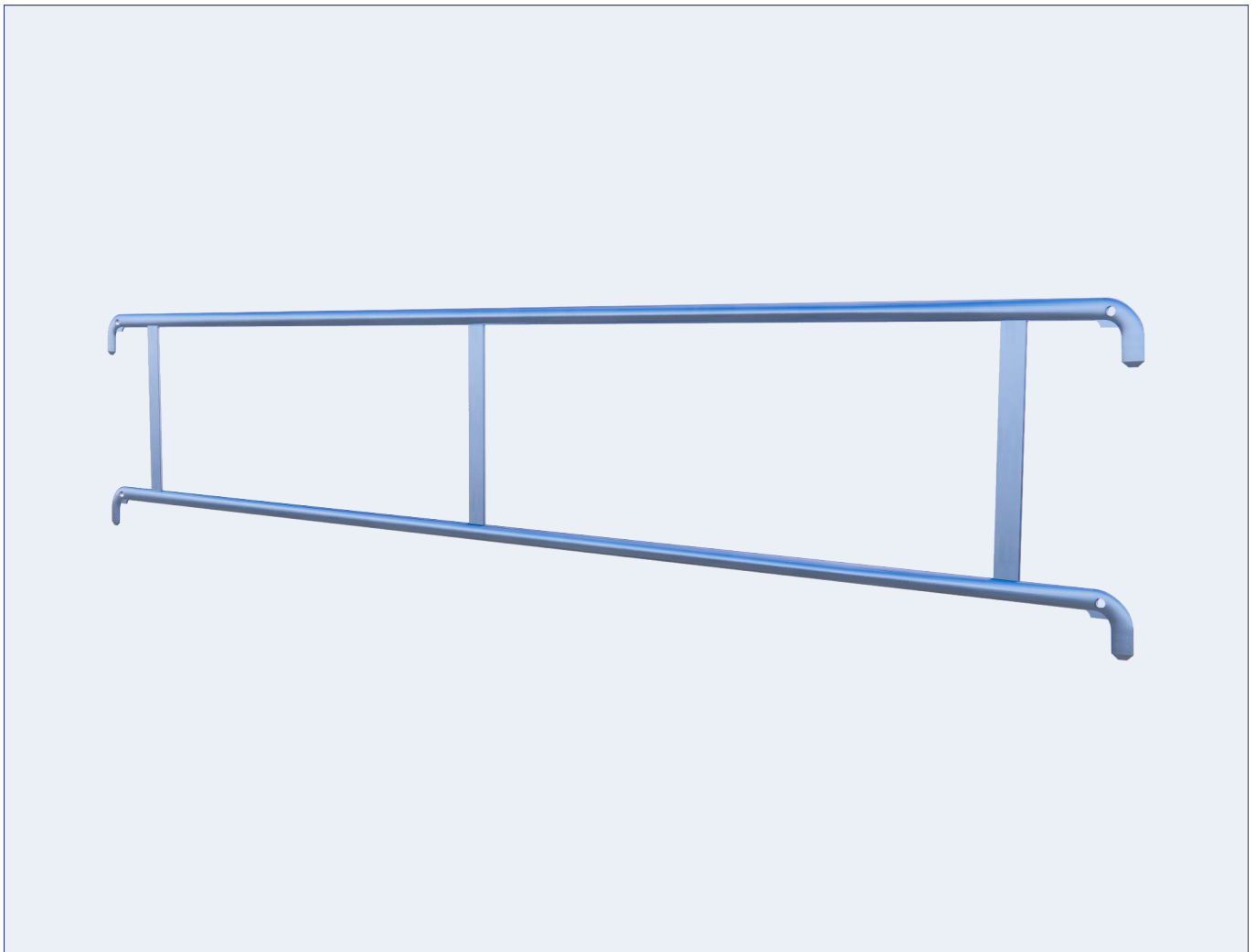


Item No.	Description	Weight (kgs)
SF0023	0.73M	1.60
SF0024	1.09M	2.00
SF0003	1.57M	2.90
SF0004	2.07M	3.80
SF0025	2.57M	4.70
SF0005	3.07M	5.60

# SPEED FRAME

## Double guardrail

Double guardrail. Steel grade: Q235. Hot dip galvanized.



Item No.	Description	Weight (kgs)
SF0026	1.57*0.5M	7.90
SF0027	2.07*0.5M	10.50
SF0028	2.57*0.5M	12.40
SF0029	3.07*0.5M	14.10
SF0030	4.14*0.5M	21.00

# SPEED FRAME

## Base ledger with 2 wedge half-couplers

Base ledger with 2 wedge half-couplers. Steel grade: Q235. Hot dip galvanized.



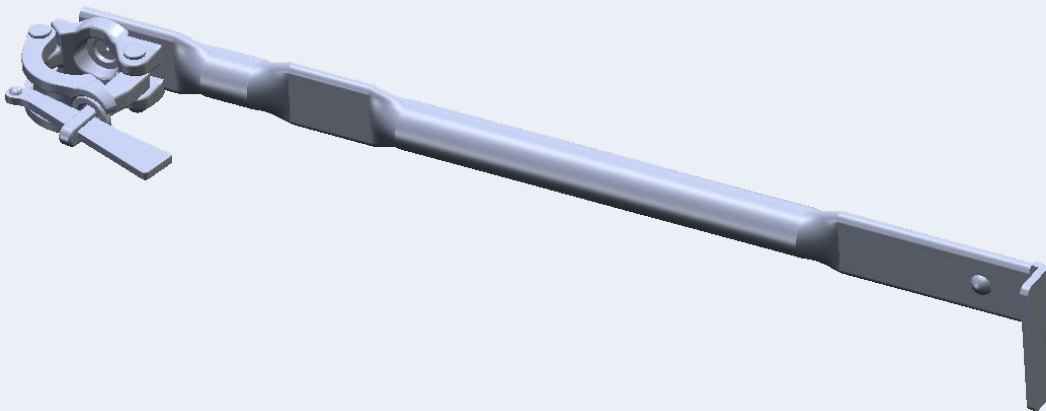
Item No.	Description	Weight (kgs)
SF0053	2.07M	6.90
SF0054	2.57M	8.60
SF0055	3.07M	10.40



# SPEED FRAME

## Single end guardrail

Single end guardrail, Steel grade: Q235. Hot dip galvanized.

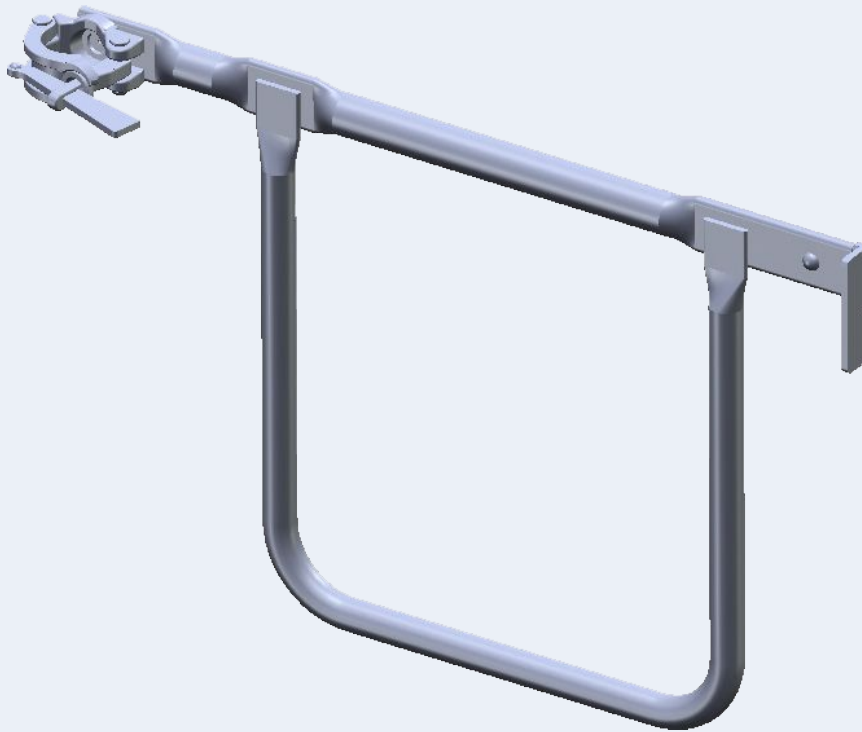


Item No.	Description	Weight (kgs)
SF0031	0.73M	2.20
SF0032	1.09M	3.50

# SPEED FRAME

## Double end guardrail

Double end guardrail. Steel grade: Q235. Hot dip galvanized.



Item No.	Description	Weight (kgs)
SF0015	0.73M	4.40
SF0033	1.09M	5.60

# SPEED FRAME

## Diagonal brace with wedge half-coupler

Diagonal brace with wedge half-coupler. Steel grade: Q235. Hot dip galvanized.

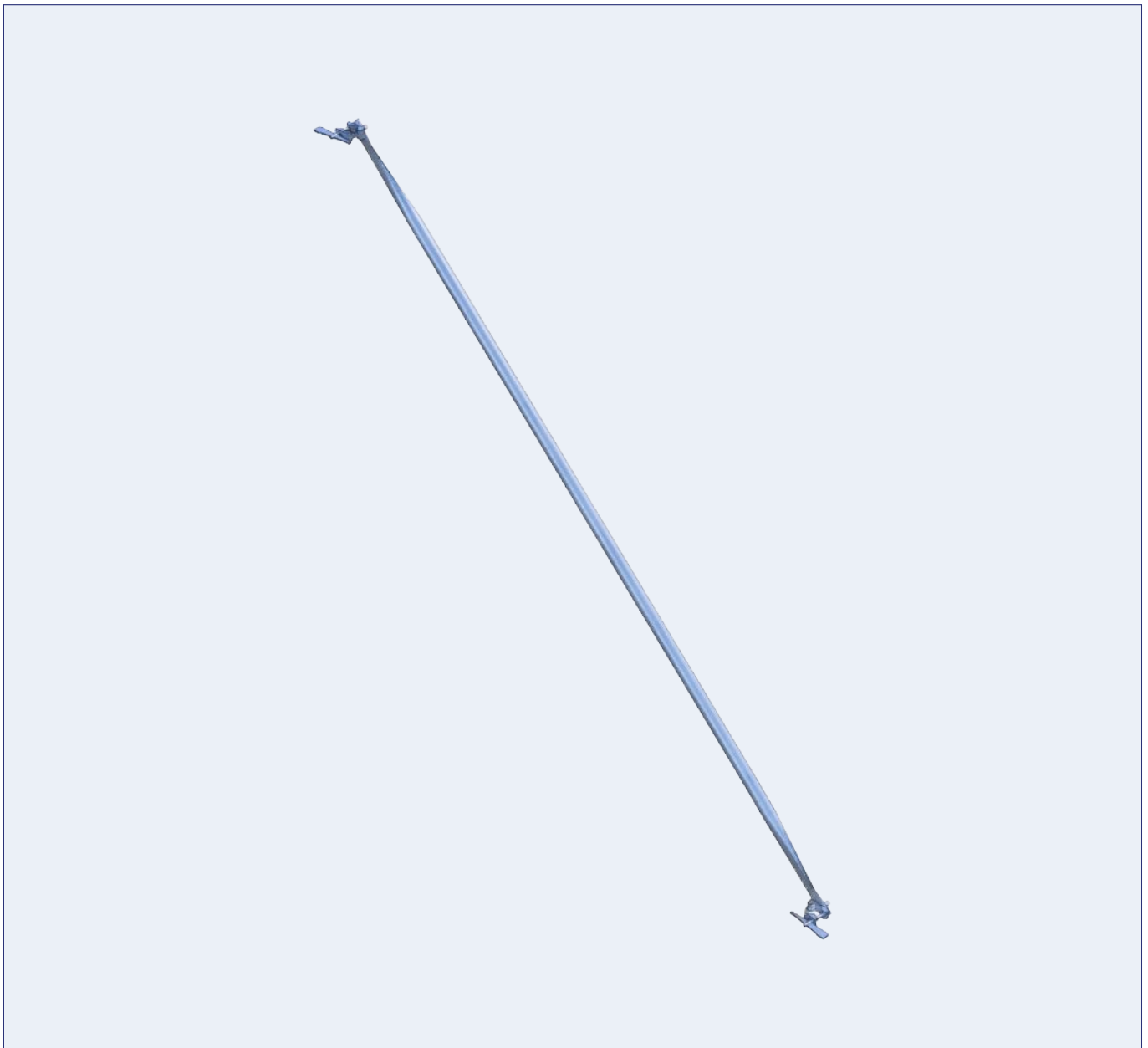


Item No.	Description	Weight (kgs)
SF0034	2.0*2.07M	7.00
SF0010	2.0*2.57M	7.80
SF0009	2.0*3.07M	8.30

# SPEED FRAME

## Diagonal brace with 2 half-couplers

Diagonal brace with 2 half-couplers. Steel grade: Q235. Hot dip galvanized.



Item No.	Description	Weight (kgs)
SF0008	2.0*1.57M	6.50

# SPEED FRAME

## Side Bracket U-Type

### Side Bracket U-Type

The side bracket is used to extend the working platform closer to the building structure. Steel Grade: Q235. Surface treatment: Hot dip galvanized.



Item No.	Description	Weight (kgs)
SF0035	0.42M	7.20
SF0016	0.73M	9.10
SF0036	1.09M	11.20

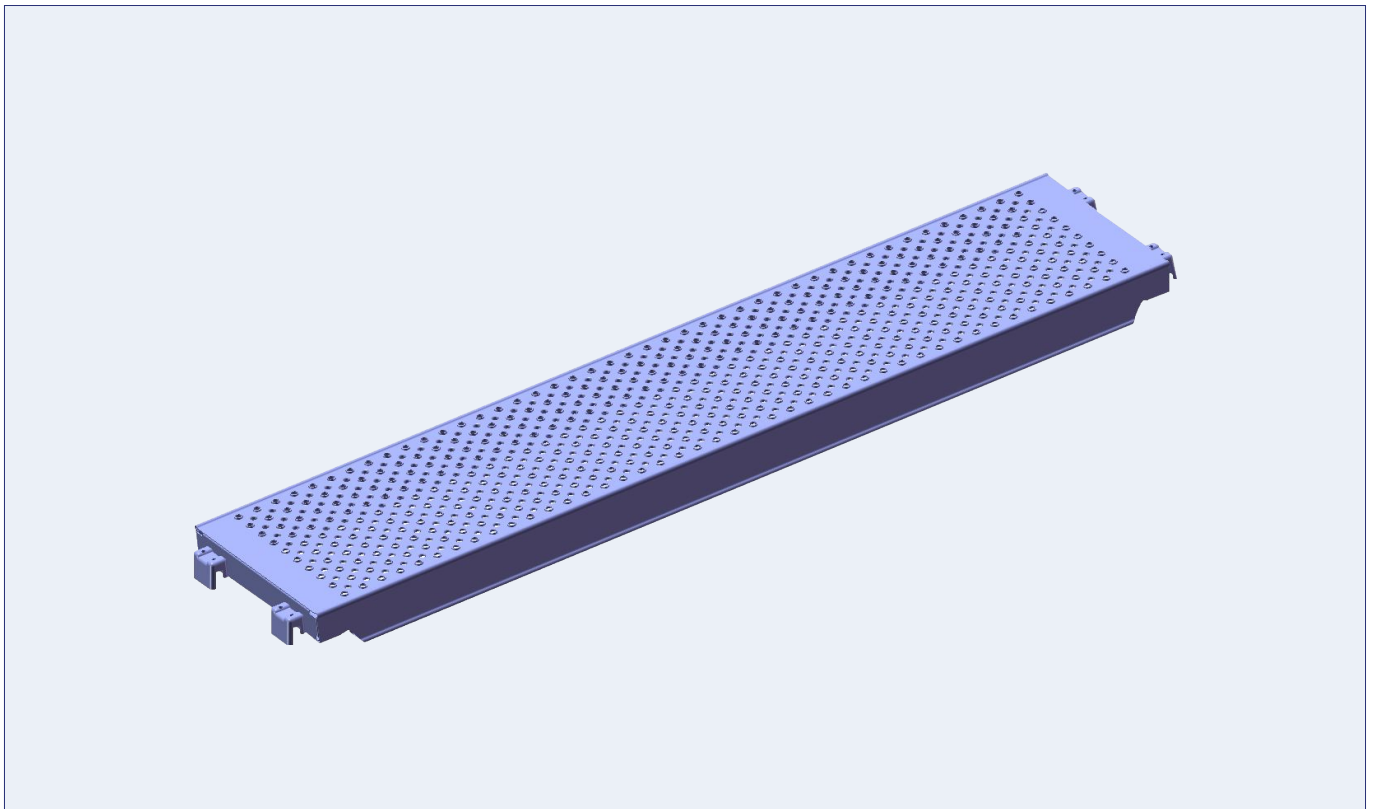
# SPEED FRAME

## Steel Plank U-Type

Steel Plank U-Type 320mm

Ringlock Steel Plank, Width:320mm, Height:76mm, Thickness:1.5mm. Q235 Steel sheet, Surface treatment: Hot dip galvanized.

Use up to load class 6 (6KN/M2) as per DCH2501 and DIN EN 12811.



Item No.	Description	Weight (kgs)
WP0353	0.73M	7.52
WP0354	1.09M	9.32
WP0355	1.40M	11.83
WP0320	1.57M	12.93
WP0319	2.07M	16.29
WP0356	2.57M	19.45
WP0318	3.07M	22.90

# SPEED FRAME

## Adjustable Base Jack

Ringlock adjustable base jack is used for leveling the frames at the same height. OD: 38.1x4.5mm. Base plate: 150x150x6mm. Surface treatment: Hot dip galvanized.

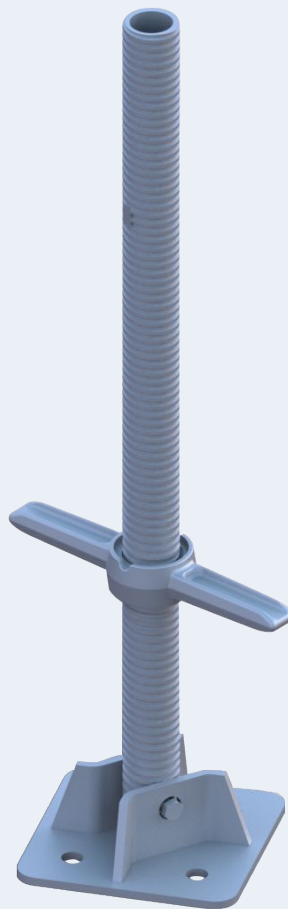


Item No.	Description	Weight (kgs)
AS0001	0.6M	3.40

# SPEED FRAME

## Swivel Base Jack

The swivel base jack can be used when standards need to be placed on slopes. OD: 38.1x4.5mm. Base plate: 150x150x6mm. Surface treatment: Hot dip galvanized.



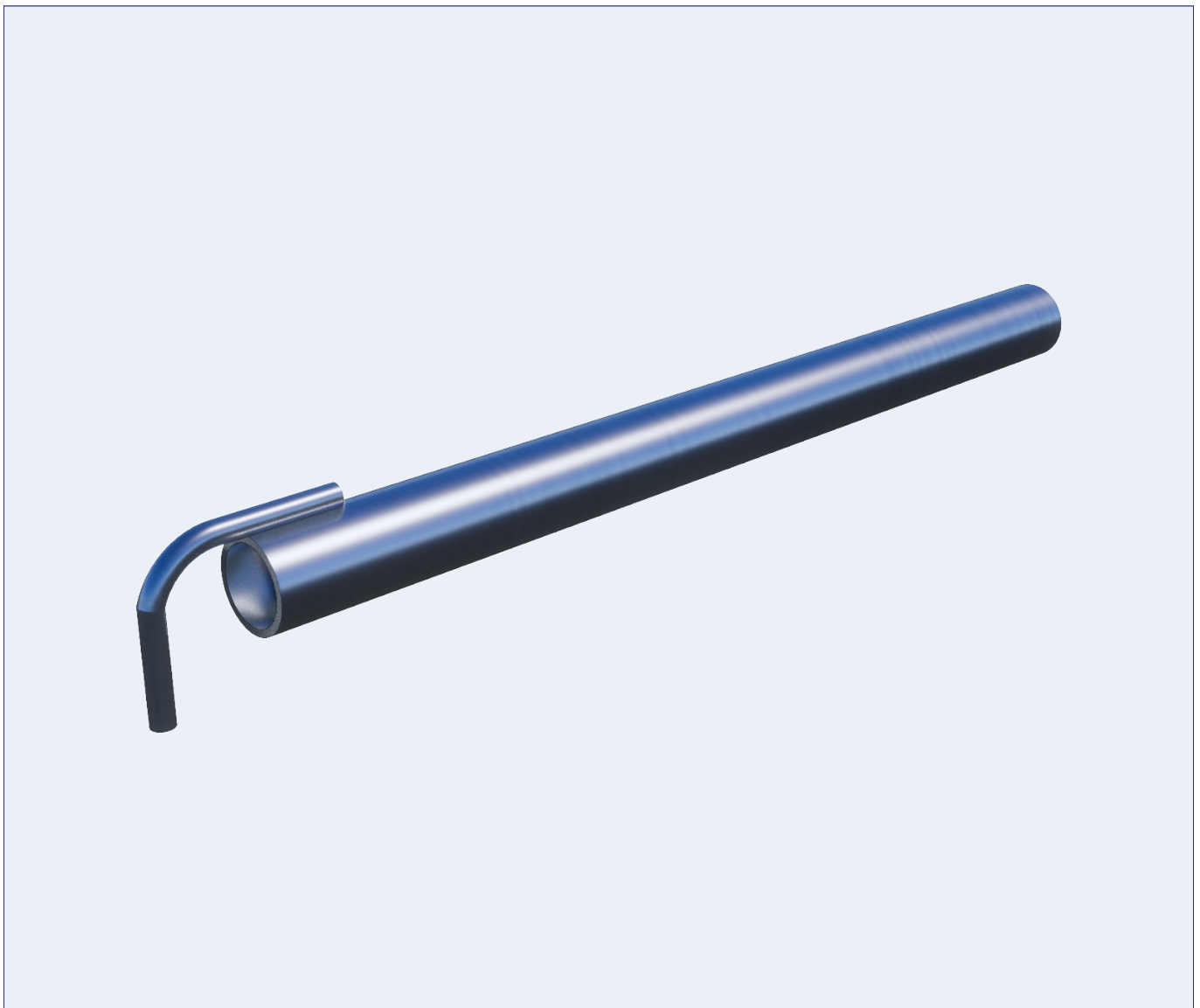
Item No.	Description	Weight (kgs)
AS0033	0.6M	3.90



# SPEED FRAME

## Wall Tie

Steel Grade: Q235. Surface treatment: Hot dip galvanized.



Item No.	Description	Weight (kgs)
RL0931	1.0m	4.06
RL1050	1.5m	5.75
RL1051	2.0m	7.54

# SPEED FRAME

## Aluminum Plywood Access Decks U-type

Aluminum Plywood Access Decks width 0.61m

Aluminum Plywood Access Decks is a complete stair unit with built-in landings.

Up to load class 3 (2KN/M2) as per NCH2501/2 of 2000 and DIN EN 12811



Item No.	Description	Weight (kgs)
WP0348	2.07M	21.2
WP0349	2.57M	26.2
WP0317	3.07M	30.2

# SPEED FRAME

## Aluminum Access Decks U-type

Aluminum Access Decks width 0.61m

Aluminum Access Decks is a complete stair unit with built-in landings.

Up to load class 3 (2KN/M2) as per NCH2501/2 of 2000 and DIN EN 12811.

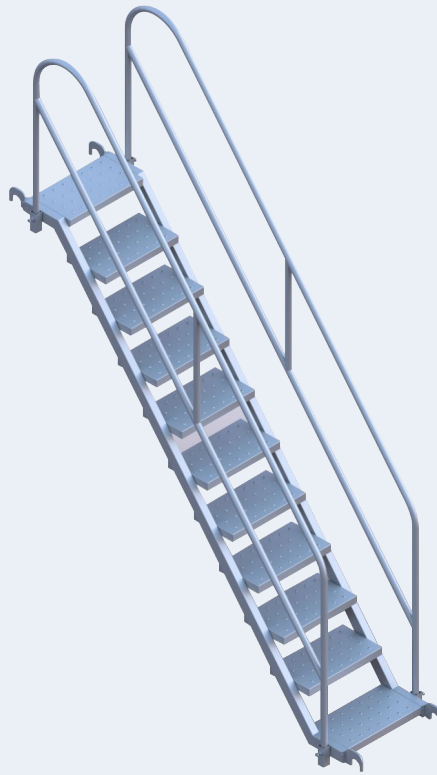


Item No.	Description	Weight (kgs)
WP0350	2.07M	24.5
WP0351	2.57M	28.1
WP0352	3.07M	32.3

# SPEED FRAME

## Stairs U-type with guardrails

Stairs U-type with guardrails, 0.64m width. Steel Grade: Q235. Surface treatment: Hot dip galvanized.



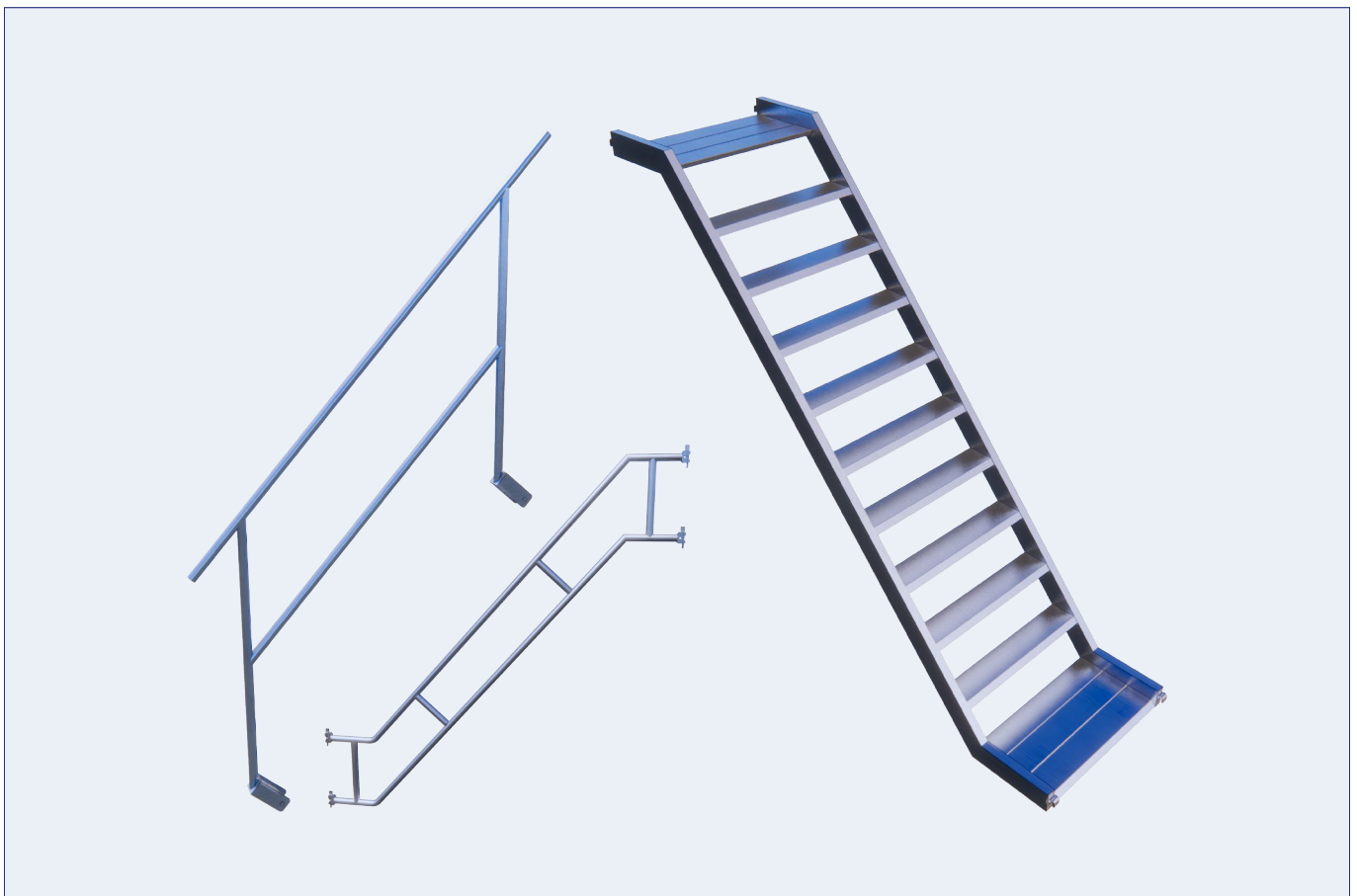
Item No.	Description	Weight (kgs)
SF0043	2.07Mx2M	78.00
SF0045	2.57Mx2M	85.00
SF0048	3.07Mx2M	93.00

# SPEED FRAME

## Aluminum Platform Stairs U-Type and Platform Stairs Guardrails

Aluminum Platform Stairs 2.0m Lift, 0.64m width, Aluminium Platform Stair U-Type is a complete stair unit with built-in landings.

The Steel Stair Guardrails are used to provide handrails on the inner side and outer side of the Aluminium Stair Platforms. "

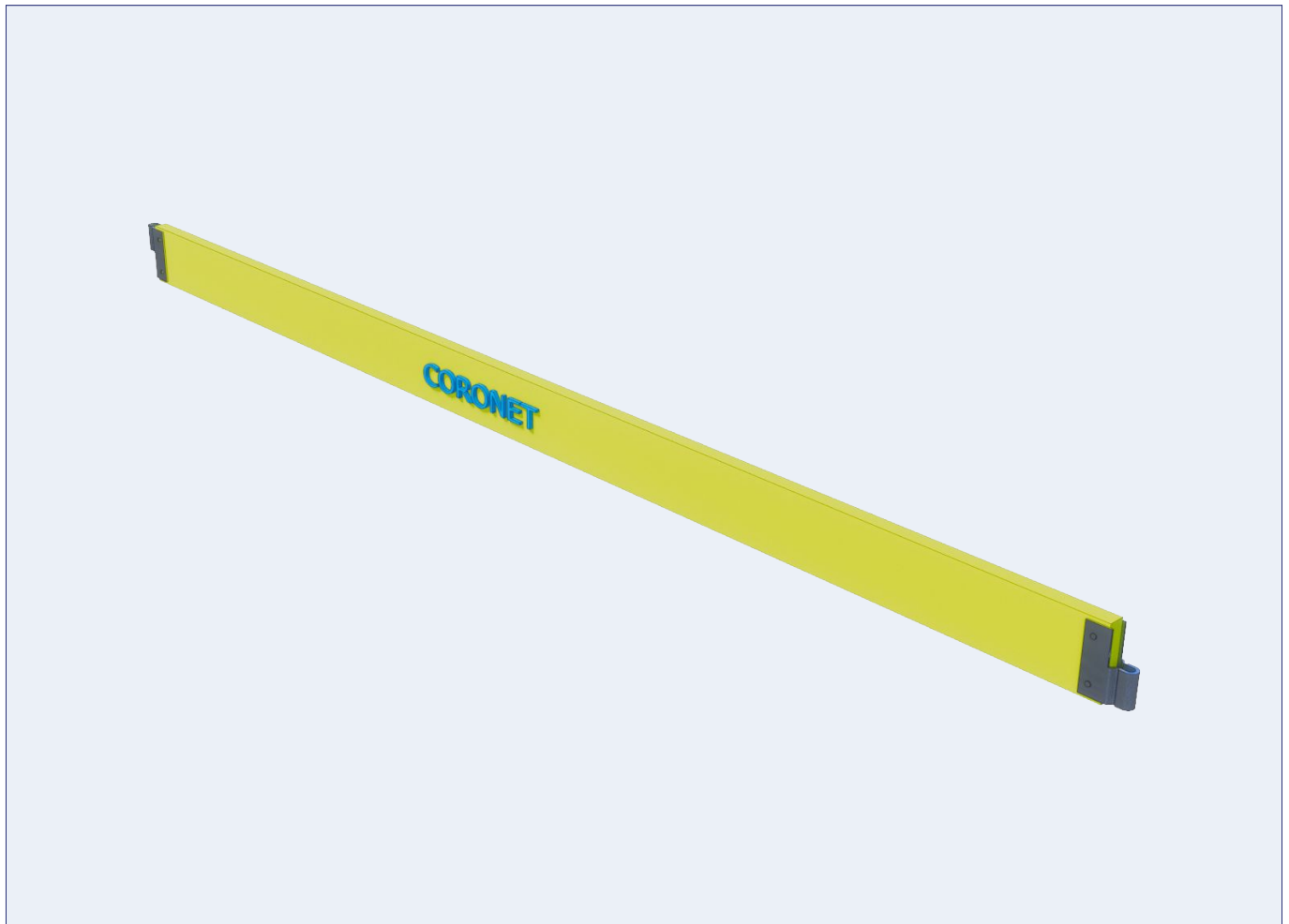


Item No.	Description	Weight (kgs)
SF0037	2.57Mx2M Aluminum Platform Stairs U-Type	30.00
SF0040	3.07Mx2M Aluminum Platform Stairs U-Type	35.00
SF0038	Internal and External Stairs Guardrails 2.57m	42.11
SF0041	Internal and External Stairs Guardrails 3.07m	49.80

# SPEED FRAME

## Toe Board

Toe Board. Width 150mm, Height 30mm.

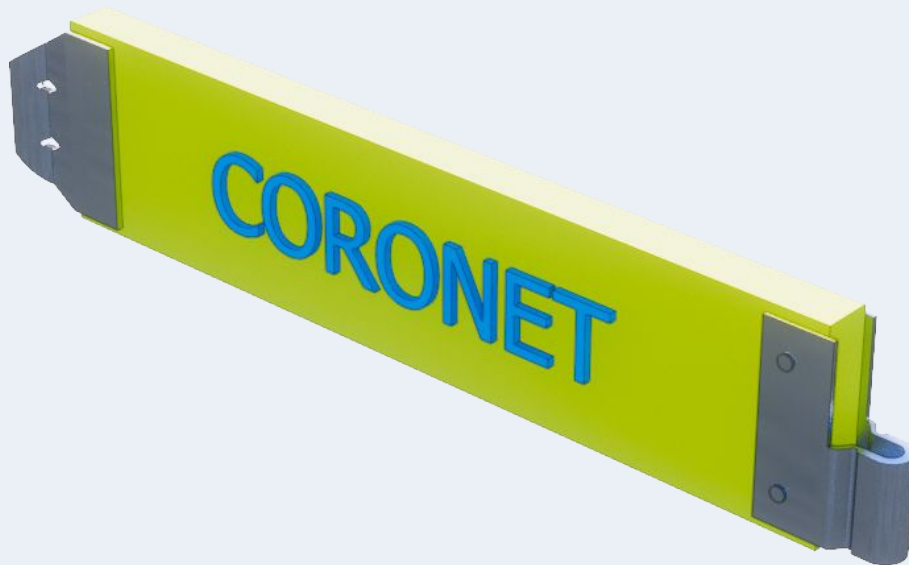


Item No.	Description	Weight (kgs)
SF0049	0.73M	1.6
SF0050	1.09M	2.4
SF0011	1.57M	3.1
SF0013	2.07M	4.7
SF0051	2.57M	5.6
SF0014	3.07M	6.8

# SPEED FRAME

## End Top Board

End Toe Board. Width 140mm, Height 30mm.



Item No.	Description	Weight (kgs)
SF0012	0.73M	1.8
SF0052	1.09M	2.3

# SPEED FRAME

## Spigot Adapter Clamp U-type

Hot dip galvanized.

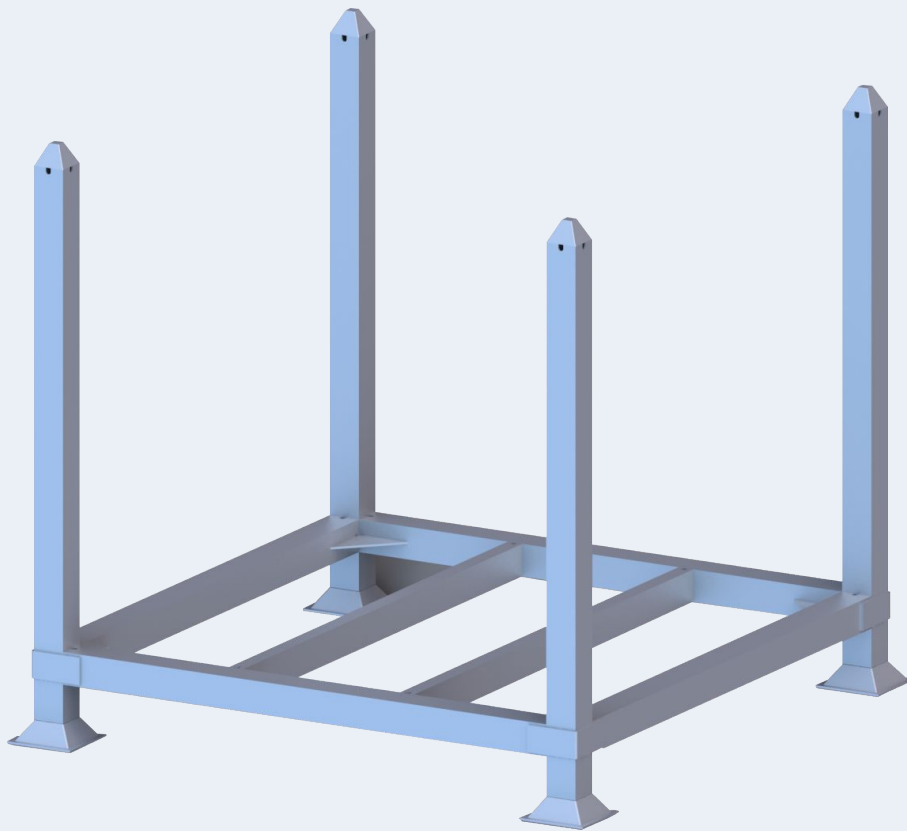


Item No.	Description	Weight (kgs)
RL0590	Spigot Adapter Clamp U-type	1.80



# SPEED FRAME

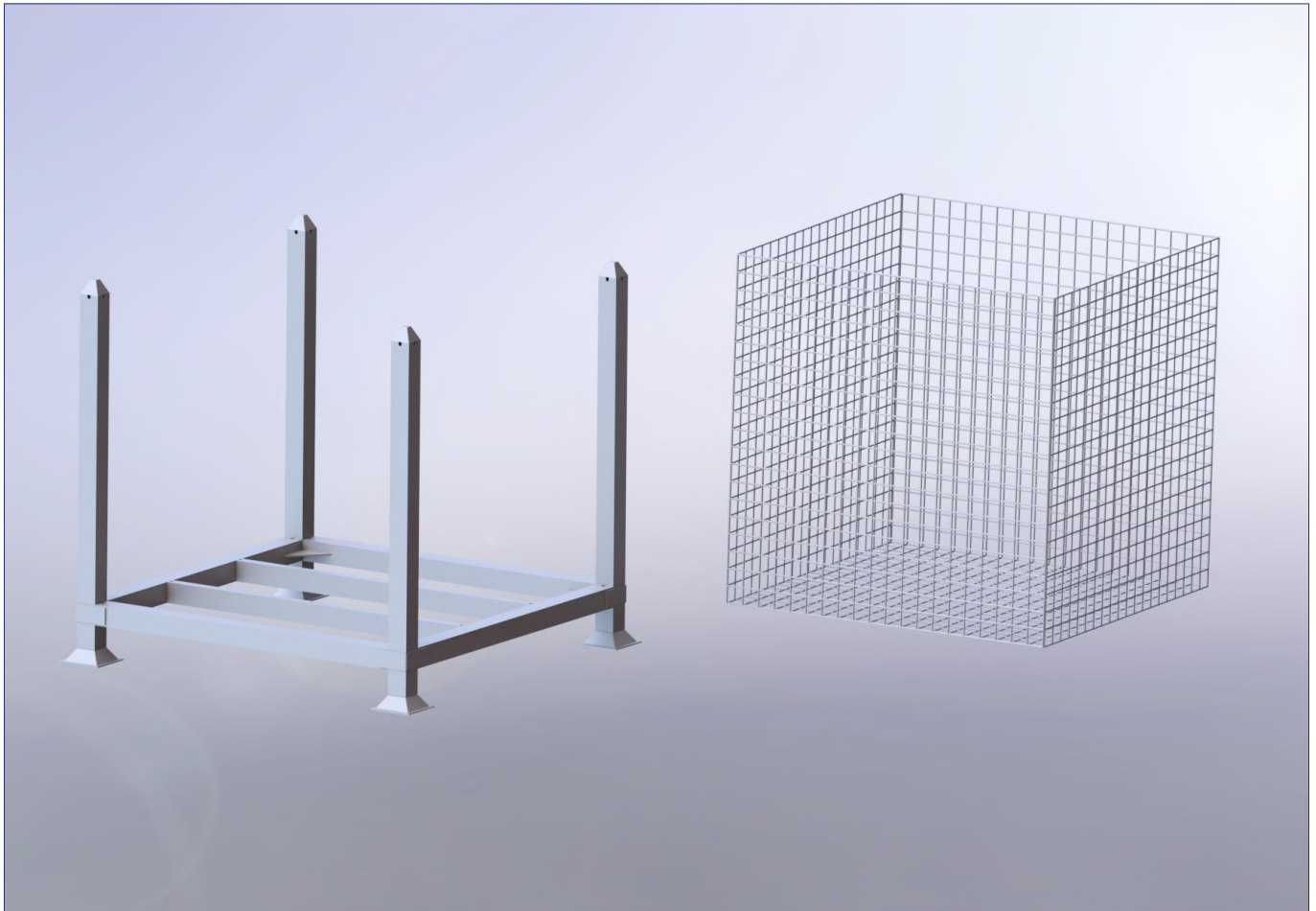
## Rack



Item No.	Description	Weight (kgs)
AS0167	Scaffold Rack 1.06x1.06x0.87m	46.00

# SPEED FRAME

## Rack Cage Insert



Item No.	Description	Weight (kgs)
AS0339	Rack con Rejillas	65.00

# SPEED FRAME

## [ CHINA ]

5 Xinghan Street, Suzhou, Jiangsu 215021

## [ USA ]

LA, USA: 343 Phosphor Ave, Metairie LA. 70005.

Tel: +1-504-432-1124 Jose Chaumont.

Utah, USA: 6225 S High Blu Dr., West Valley Utah 84118.

Tel: +1-866-300-6688 Jim Fraser.

TX, USA: 4740 Ingersoll St, Suite 102 Houston TX 77027.

Tel: +1-504-432-1124 Jose Chaumont.

## [ CHILE ]

Tel: +56 978 082717 Bernardo Gutiérrez

## [ EMAIL ]

[coronet@coronet-scaffold.com](mailto:coronet@coronet-scaffold.com)

## [ WEB ]

[www.coronet.com](http://www.coronet.com) / [www.coronet-scaffold.com](http://www.coronet-scaffold.com)

We are the leading scaffolding supplier.